

VCA AGC Microphone Circuit

Microphone: COMP/AGC



Part: PEAGM-3 (C)2017
AUDIO AMPLIFIER

All *-ND are Digi-Key part codes (Digi-key.com)

All resistors: 0805 SMD, 1/8W, 5%

311- (value)ARCT-ND, Yageo eg. 311-1.0KARCT-ND

All caps <2.2uF are 0805 SMD 10%, X7R 16-25V, caps 2.2-10uF are 10-16V X5R

0805 ceramic caps, CL21B<value>K Samsung eg. 0.1uF (104) CL21B104K

Caps C29/C34=1206 SMD X5R, 100uF CL31A107M, 10uF CL31A106K

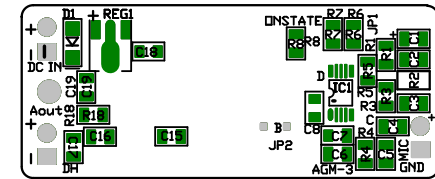
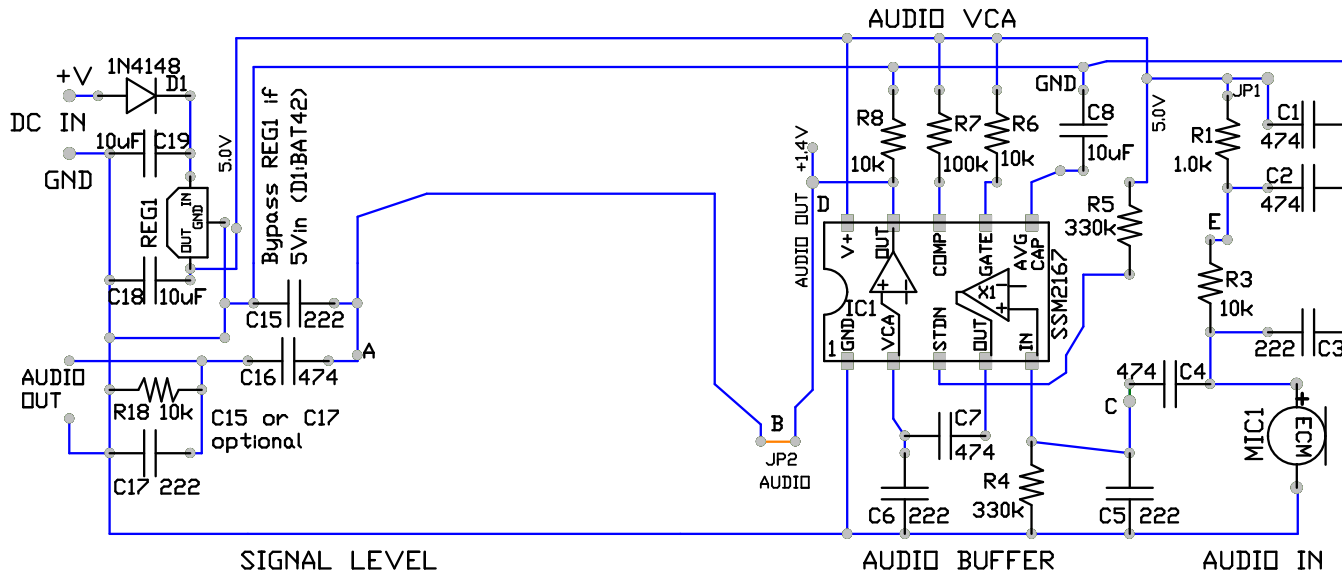
IC1: SSM2167 MSOP-10

Electret Cond Microphone, ADM-4540L-R, ADM-6738P, PQM-3535L-3-R

REG1: 78L05, 5.0V, SOT-89, L78L05A 0.1A

D1/D2: diode, 0.2A, SOD-123

Basic Circuit



Normal speech: R6=10k

Quiet talking: R6=47k