

All *-ND are Digi-Key part codes (Digi-key.com)

All resistors: 0805 SMD, 1/8W, 5%

311- (value)ARCT-ND, Yageo eg. 311-1.0KARCT-ND

All caps <2.2uF are 0805 SMD 10%, X7R 16-35V, caps 2.2-10uF are 16V-25V X5R

0805 ceramic caps, CL21B<value>K Samsung eg. 0.1uF (104) CL21B104K

Caps C29/C34=1206 SMD X5R, 100uF CL31A107M, 10uF CL31A106K

IC1: SSM2167 MSOP-10, IC2: LM258D SOIC-8

Audio input from media player, 0.1-1.0V.

REG1: 78L05, 5.0V, SOT-89, L78L05A 0.1A, 6-9Vin use LDO LD2981CU

D1/D2: diode, 0.2A, SOD-123 1N4148/BAT42.

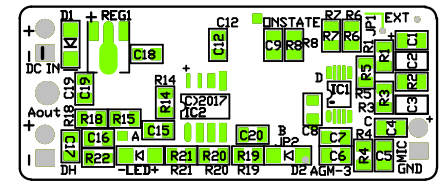
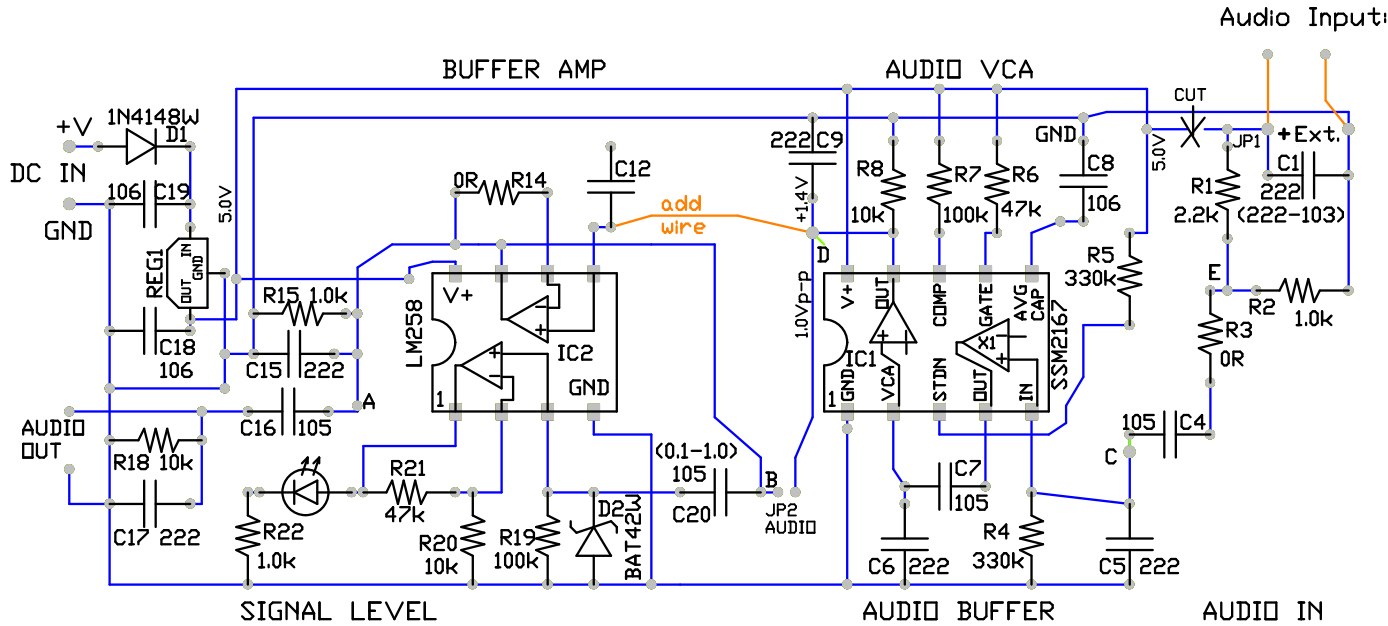
VCA AGC Microphone Circuit

Microphone. COMP/AGC

(C)2017  Instate Technologies

Part: PEAGM-3
AUDIO AMPLIFIER

Basic VCA circuit
with buffer amp output.



TOP SIDE

- Audio Input:
- Line-level: 0.1-1.0V R1=2k-6k
- Headphone: R1=1k-3k
- Level indicator: R21 27-47k
- R4/R5: 330k-750k
- C8: AVG 4.7uF-10uF
- C18/C19: 4.7uF-10uF