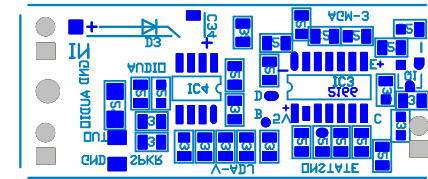


# VCA AGC Microphone Circuit

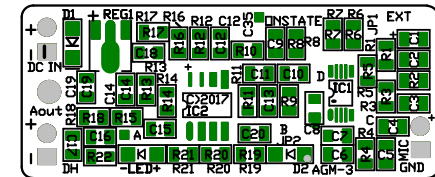
Microphone. COMP/AGC



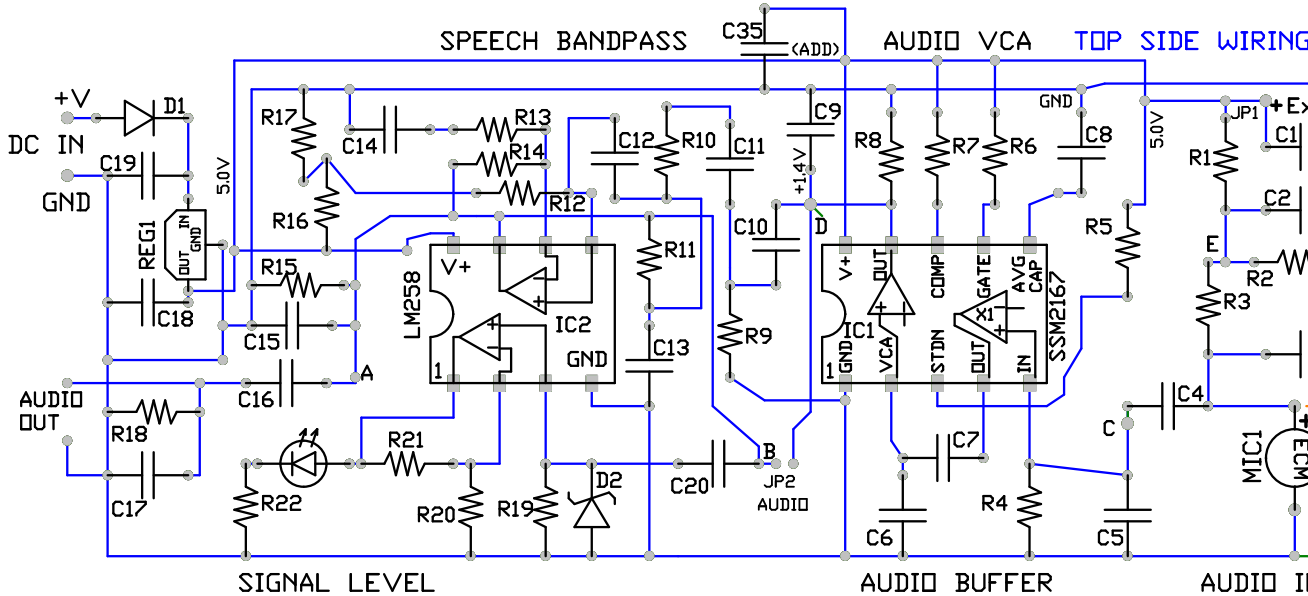
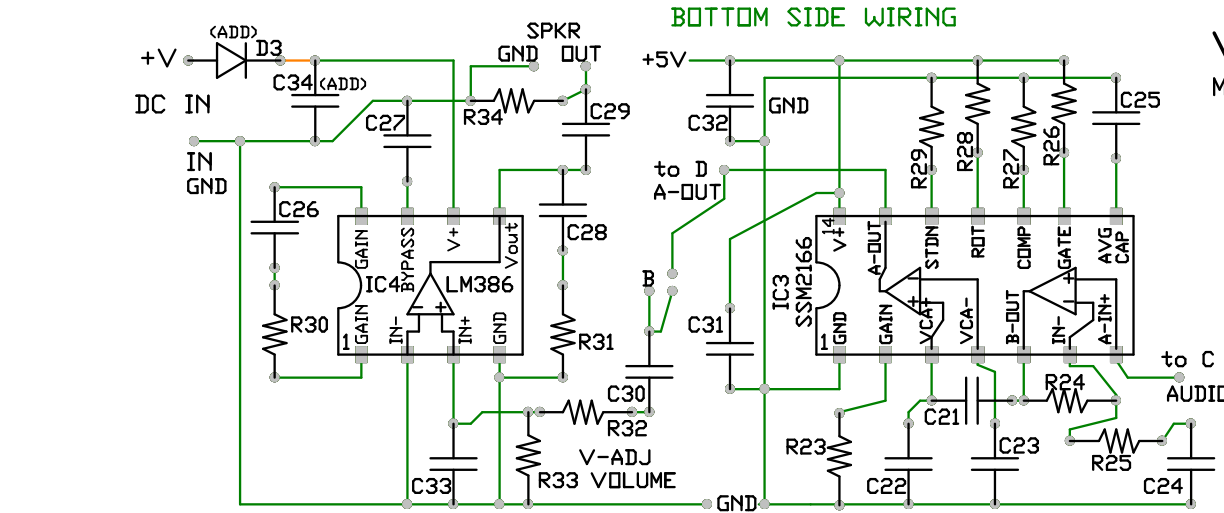
Part: PEAGM-3 (C)2017  
AUDIO AMPLIFIER



BOTTOM SIDE



TOP SIDE



All \*-ND are Digi-Key part codes (Digi-key.com)

All resistors: 0805 SMD, 1/8W, 5%

311- (value)ARCT-ND, Yageo eg. 311-1.0KARCT-ND

All caps <2.2uF are 0805 SMD 10%, X7R 16-25V, caps 2.2-10uF are 10-16V X5R

0805 ceramic caps, CL21B<value>K Samsung eg. 0.1uF (104) CL21B104K

Caps C29/C34=1206 SMD X5R, 100uF CL31A107M, 10uF CL31A106K

IC1:SSM2167-1RMZ, IC2:SSM2166SZ, IC2 LM258D, IC4 LM386MX S0IC-8

Electret Cond Microphone, ADM-4540L-R, ADM-6738P, POM-3535L-3-R

REG1: 78L05, 5.0V, S0T-89, L78L05A 0.1A, Used LDO LD2981CU for 6-9Vin

D1/D2: diode, 0.2A, S0D-123, BAT42/1N4148, D3: 1N4001