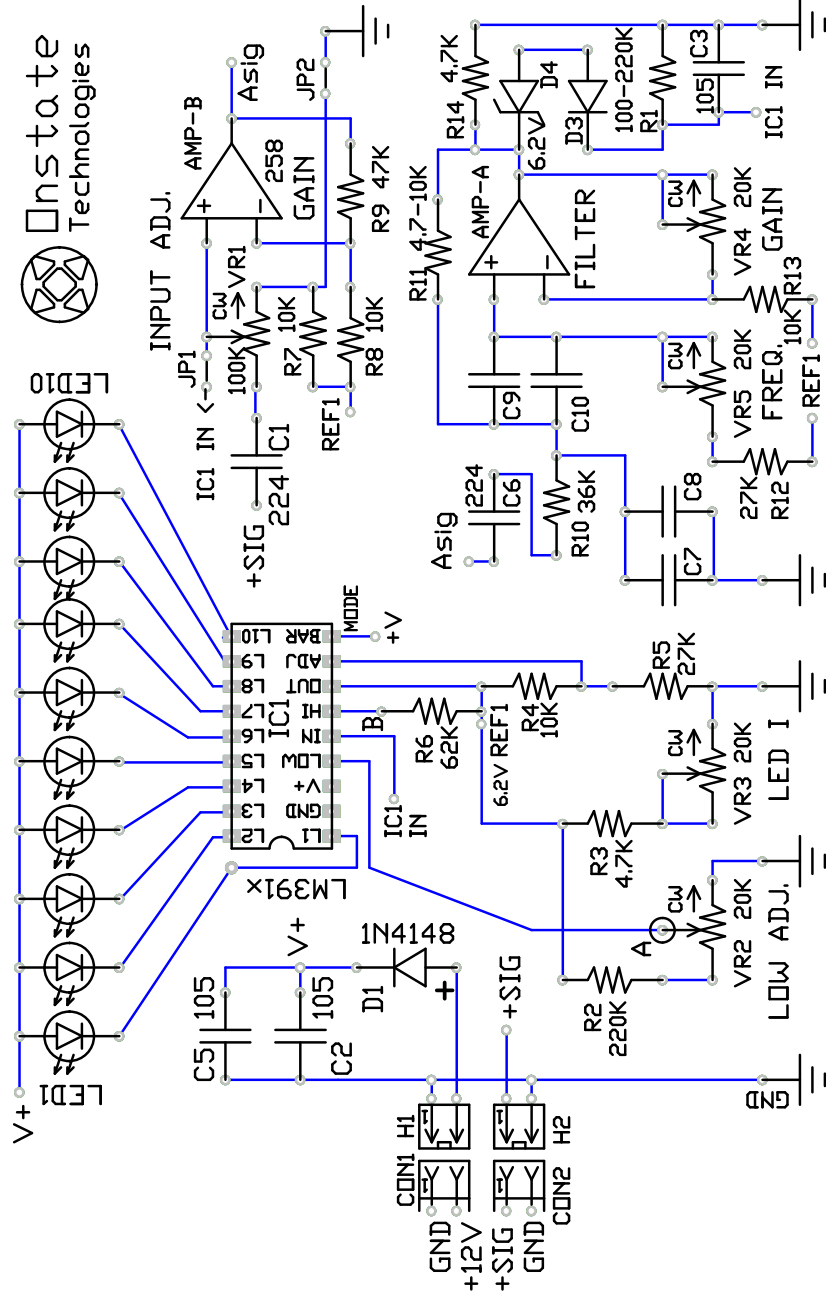
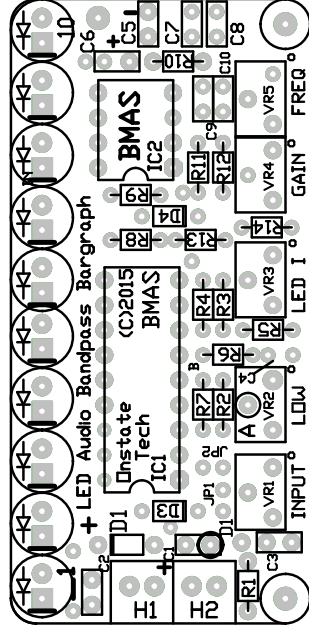


LED Audio Bandpass Bargraph Display Meter Audio Spectrum Analyzer Display



Parts Labels



Part: BMAS (C)2015 BARGRAPH DISPLAY METER

All *-ND are Digi-Key part codes (Digi-key.com)
All resistors: 1/8W, 5%

(value)EBK-ND, eg. 10KEBK-ND (10K)

Trimmer resistors (VR), Cermet, PC pins

3362P-<VALUE>LF-ND, top adj. 103=10k, 104=100k

NOT USED: JP1/J2

D1/D3: 1N4148, general Si diode, 0.1A

D4: 6.2V 1N5234 zener

Caps C: mono cer. 104=0.1uF, 103=0.01uF, 105=1.0uF

C2/C5: power filter, any type >1.0uF on +/-

IC1: LM3915N-1-ND, 10 seg. bargraph driver

LM3915N VU audio bargraph driver

IC2: LM258/358 dual op-amp

AMP-A=SALLEN-KEY BANDPASS FILTER

AMP B=AUDIO GAIN AMP, R9/R8

LED: Any type