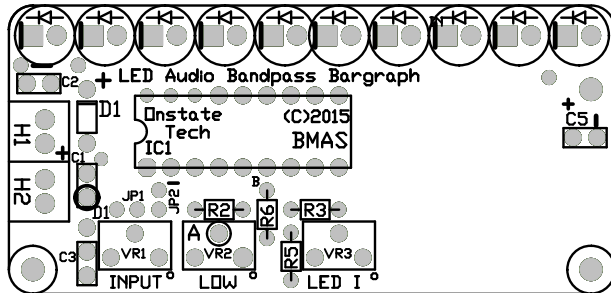
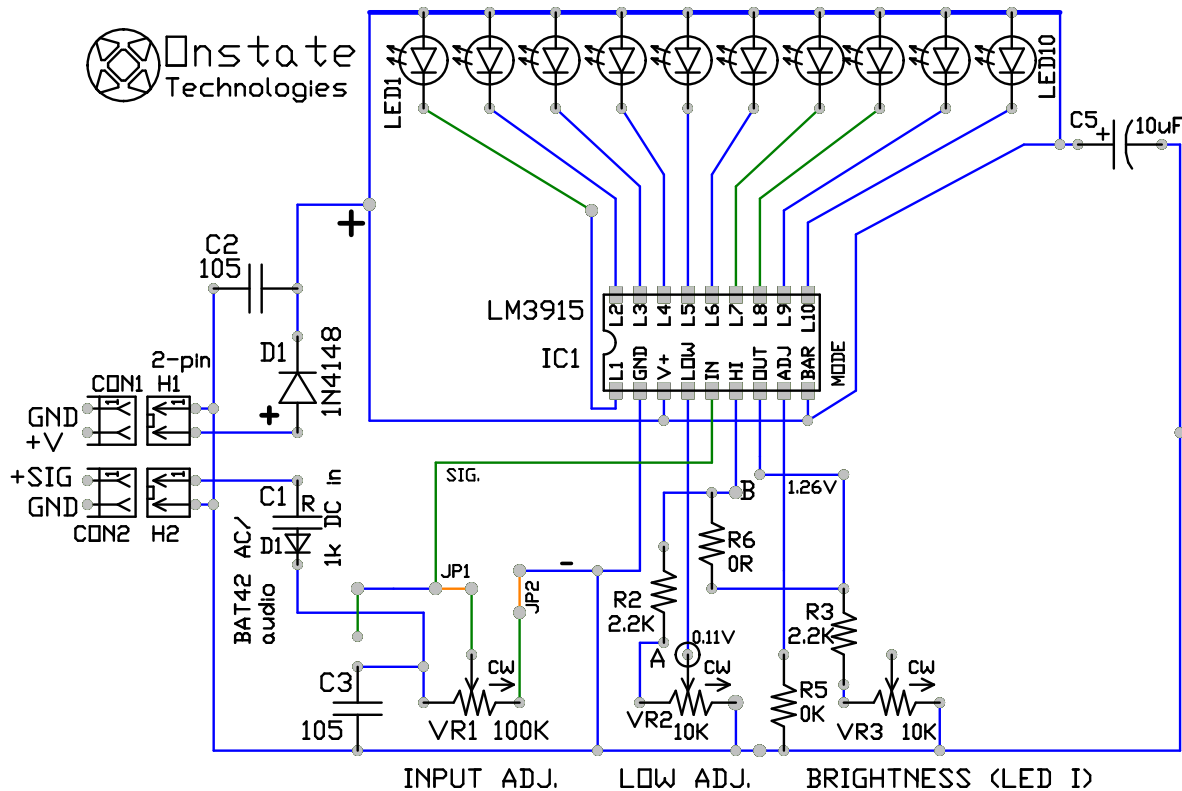


Parts Labels



LED Audio Bargraph Display Meter AC/DC/Audio Input. Basic Module



Part: BMAS (C)2015
VOLTAGE LEVEL DISPLAY METER
1.3V-10V Full scale.

All *-ND are Digi-Key part codes (Digi-key.com)
All resistors: 1/8W, 5%
(value)EBK-ND, eg. 47KEBK-ND (47K)
Trimmer resistors (VR), Cermet, PC pins
3362P-<VALUE>LF-ND, top adj. 103=10k, 104=100k
3362S-1-<VALUE>LF, side adj. 203=20k
D1: 1N4148, general Si diode, 0.2A
J1/J2: wire jumper
Caps C: mono cer. 104=0.1uF, 103=0.01uF, 105=1.0uF
C5: power filter, any type >1.0uF on +/-
IC1: LM391xN-1-ND, 10 seg. bargraph driver
R6: Optional if full scale display is <1.25V
R6=0k wire for standard use. HI=1.26V
R6=10k, HI ref (B)=0.55-0.57V, low DC in

Display Dot/Bar mode:
1. Cut trace on bottom side at MODE (#9)