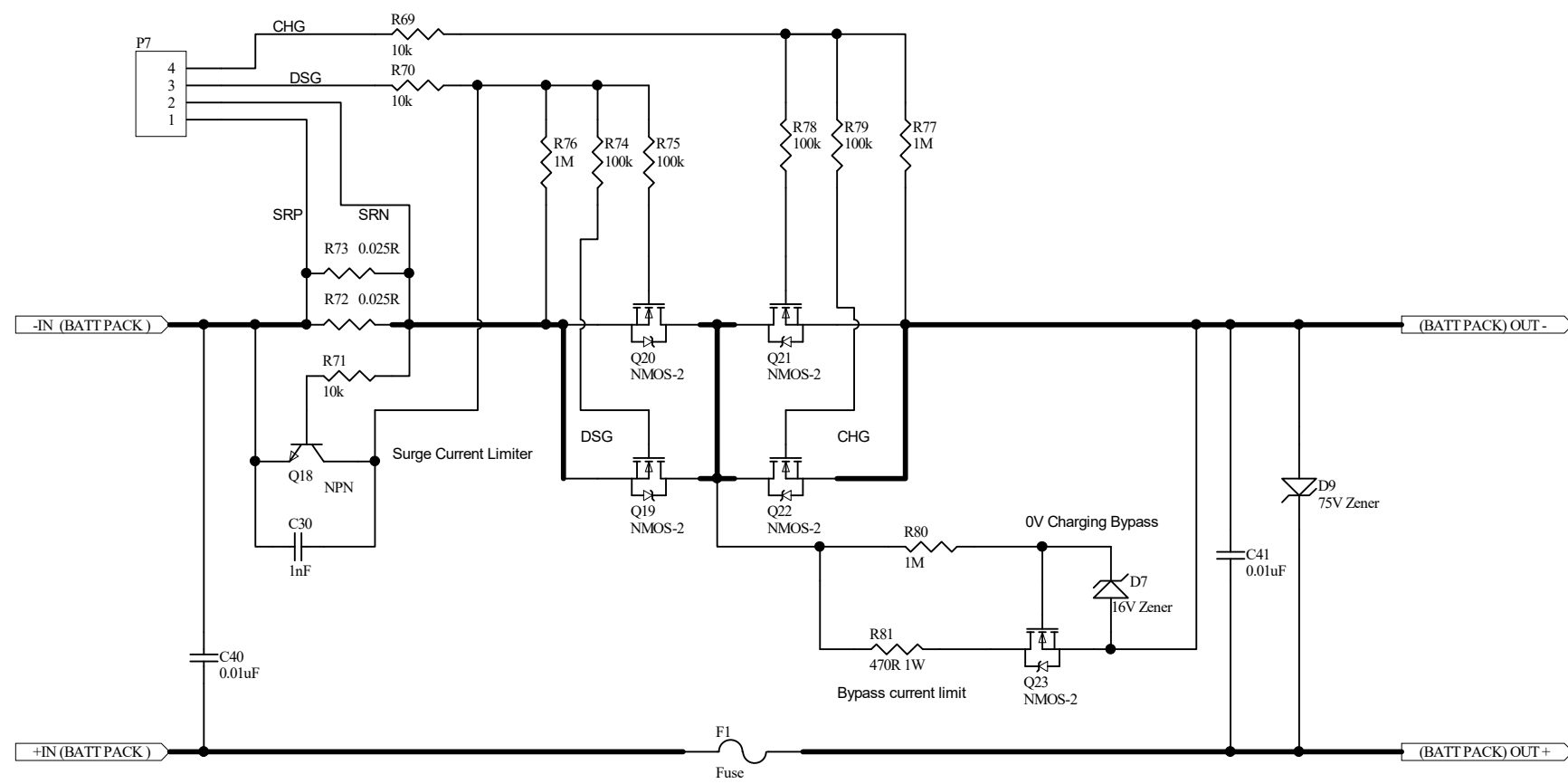


Note: C42 footprint is not on PCB. Manually solder C42 to PCB.

- 1. GND
- 2. SDA
- 3. +3V3
- 4. SCL

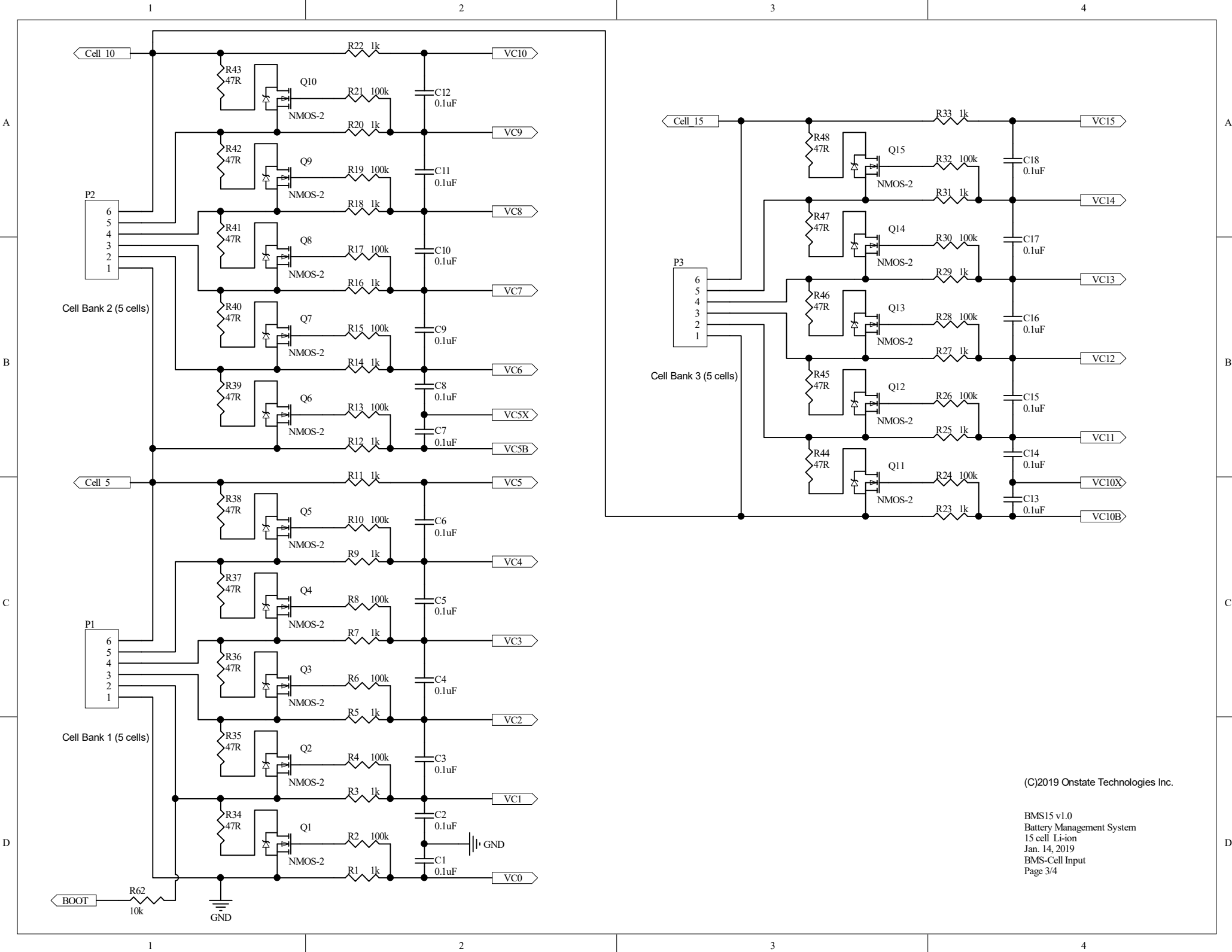
- 4. CHG
- 3. DSG
- 2. SRN
- 1. SRP

(C)2019 Onstate Technologies Inc.



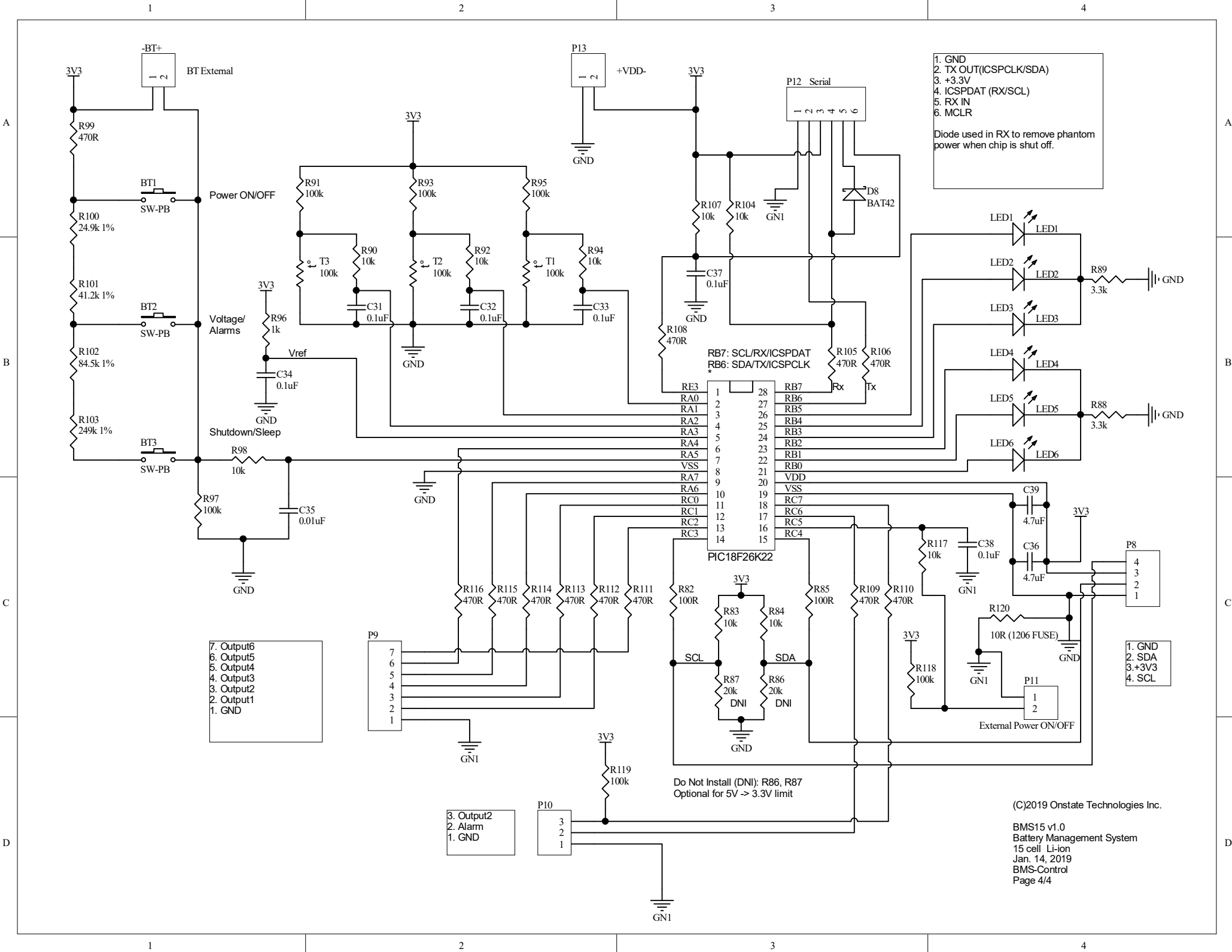
(C)2019 Onstate Technologies Inc.

BMS15 v1.0
 Battery Management System
 15 cell Li-ion
 Jan. 14, 2019
 BMS-Power I/O
 Page 2/4



(C)2019 Onstate Technologies Inc.

BMS15 v1.0
 Battery Management System
 15 cell Li-ion
 Jan. 14, 2019
 BMS-Cell Input
 Page 3/4



1. GND
 2. TX OUT(ICSPCLK/SDA)
 3. +3.3V
 4. ICSPDAT (RX/SCL)
 5. RX IN
 6. MCLR
- Diode used in RX to remove phantom power when chip is shut off.

7. Output6
6. Output5
5. Output4
4. Output3
3. Output2
2. Output1
1. GND

3. Output2
2. Alarm
1. GND

- 3
- 2
- 1

1. GND
2. SDA
- 3.+3V3
4. SCL

Do Not Install (DNI): R86, R87
Optional for 5V -> 3.3V limit