

Parts List:

H1-H4: 2-pos terminal block, 0.2"

R1: 1/8w, carbon

Q1: SPP08P06P, 8.8A, 60V

FQP27P06, 27A, 60V

IRLIB9343PBF, 14A, 55V

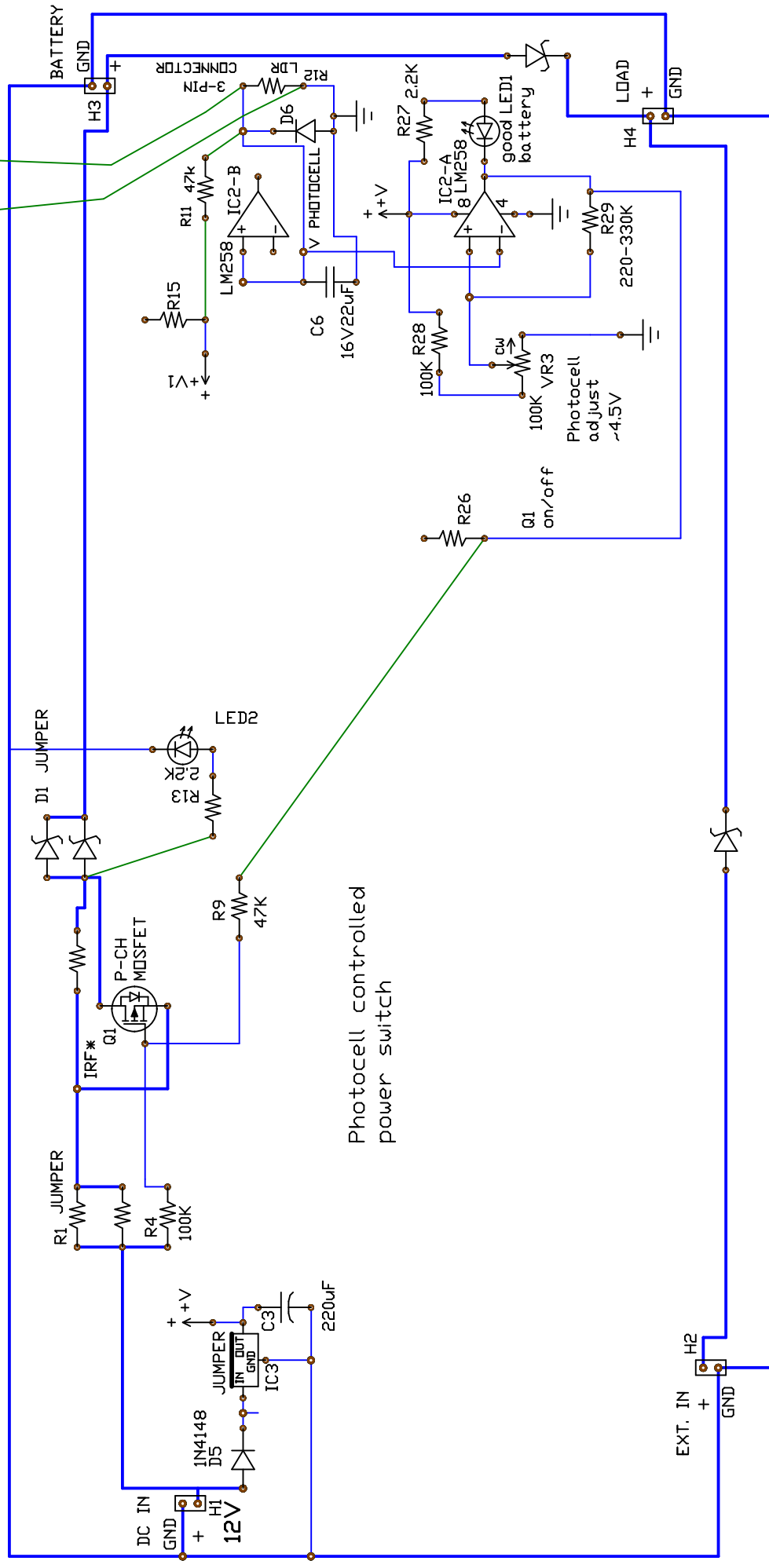
IRF9224NPBF, 12A, 55V

IC2: LM258, 8-PIN

VR3: 100k, 3362P-1-104LF

LDR: CdS photocell, PDV-P9203, 5-20k

LED1/2: 5mm green LED



Photocell controlled power switch