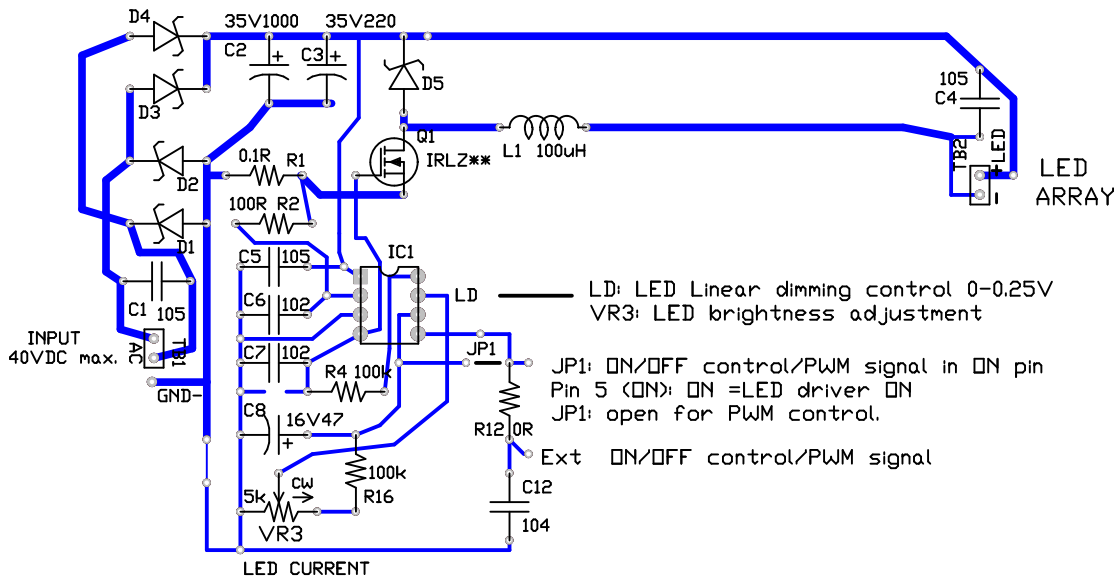


HV9910B



- Part: PCB-MFSRC
- DigiKey.com parts
- R1: RSMF1JTR100CT-ND
- R*, 1/8W, 5%
- <value>EBK-ND
- 2.2KEBK-ND => 2.2K resistor
- D*: 3A: 1N5822, 31DQ04
- D*: 5A: SB540, STPS5L40
- C(10*): MLCC, value
- C2/C3: P12411-ND/P12406-ND
- VR3: 3362P-502LF-ND top adjust
- TB1/2: 609-3918-ND
- C8: P5528-ND
- IC1: HV9910B
- Q1: IRLZ44ZPBF-ND
- L1: 5.4A, 811-1345-ND

Part: PCB-MFSRC
 DigiKey.com parts
 Match components with suitable current and voltage rating
 Onstate Tech.
 VR3= 0-0.35V LED brightness control.
 Use GND- and AC in for DC power input
 See HV9910B data sheet for more design information

Confidential | ©2013 Onstate Technologies Inc.



All information are property of Onstate Technologies Inc.
 No information shall be disclosed without permission from Onstate Technologies Inc.