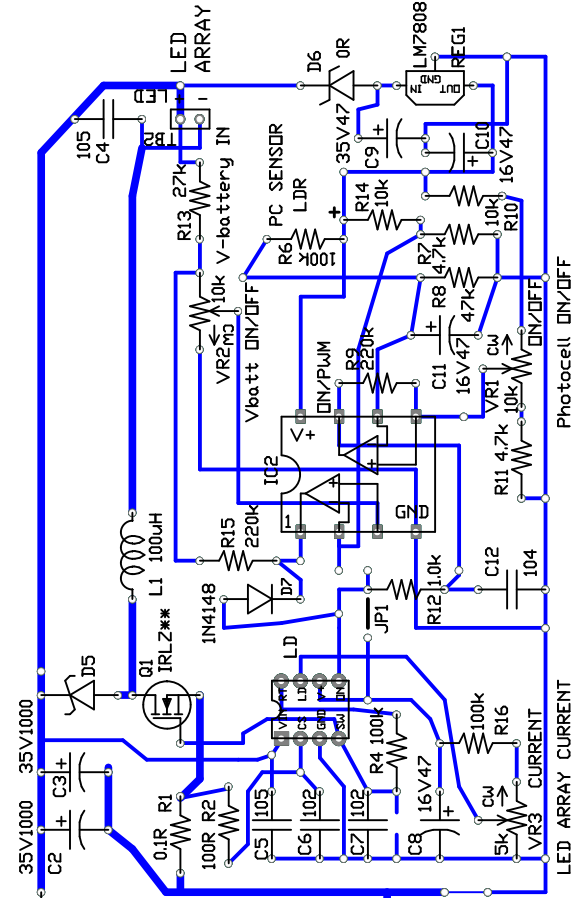


Part: PCB-MFSRC  
 DigiKey.com parts  
 R1: RSMF1JTR100CT-ND  
 R\*, 1/8W, 5%  
 <value>EBK-ND  
 2.2KEBK-ND => 2.2K resistor  
 D\*: schottky diodes, 3A/5A  
 D#:1N5822-TPM5CT-ND  
 C(10\*): MLCC, value  
 C2/C3: P12411-ND/P12406-ND  
 VR3: 3362P-502LF-ND top adjust  
 TB1/2: 609-3918-ND  
 C8/9/10: P5528-ND, C9>25V  
 IC1: HV9910B  
 Q1: IRFZ44ZPBF-ND  
 L1: 811-1345-ND  
 LDR: PDV-P9203-ND  
 D6: zener diode shunt for >30V/in



VR2: Battery shut-off adj.  
 Voff=11.4V, Von=12.4V, R15.  
 Vbat ref=IC1 Pin2  
 Von/off= Pin3

VR1: Photocell day/night on/off

Von/off= Pin3

Part: PCB-MFSRC  
 DigiKey.com parts  
 Match components with suitable current and voltage rating  
 and voltage rating  
 VR3= 0-0.35V LED brightness control.  
 Use GND- and AC in for DC power input  
 See HV9910B data sheet for more design information  
 use standard parts.