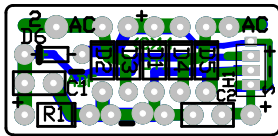
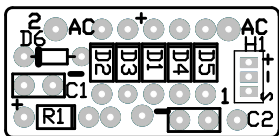
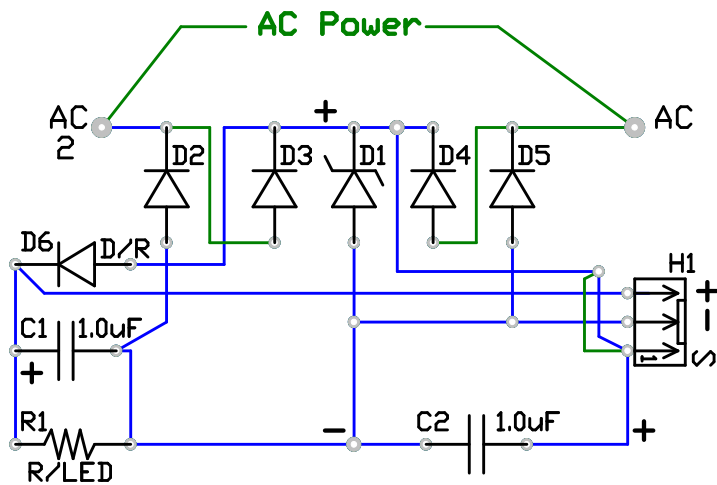


AC/DC diode bridge rectifier




 Instate
 Technologies
 (C)2015



Part: PCB-PEADF-1

AC Voltage → DC Voltage Output

D1: optional, zener, 0.5W, 1N5242 12V

D2-D6: 1N4148, D6=diode/resistor

C1/C2: 16-50V 1.0uF 0.1" Mono. Cer.
 (16V 47-100uF ele. cap)

Output: Max. 50V 0.2A

Set D/R/C as required

R1 could be LED power indicator