

All *-ND are Digi-Key part codes (Digi-key.com)

All resistors: 1/8W, 5%

(value)EBK-ND, eg. 47KEBK-ND (47K)

All trimmer resistors (VR), top adjust.

3362P-<VALUE>LF-ND

103=10K, 203=20K, 104=100K

J2/H2: LM7808, 8V regulator, TO-220

D1: 1N4002DICT-ND, general Si diode, 1A

D2: 497-2512-1-ND, schottky, 40V, 350mA

C1: P824-ND, 1.0uF 50V, mini, radial

C2: P813-ND, 25V 10uF, mini, radial

IC1: LM391xN-1-ND, 10 seg. bargraph driver

IC2: LM258N, dual op-amp

DISP1: 160-1067-ND, 10 seg. LED bargraph, GRN

P808-ND, 22uF 16V, mini, radial

P809-ND, 16V 33uF, mini, radial

P810-ND, 16V 47uF, mini, radial

P814-ND, 25V 22uF, mini, radial

Auto-brightness: PDV-P9203-ND parallel to VR3

For Cascading Bargraph Meters:

1. High ref. of low bargraph (1st) must be connected to low ref. of 2nd bargraph.

2. Both singal inputs must be connected together. only 1 adjust VR1 is required.

A. Lower bargraph (1st) setup:

1. cut signal trace at pin #6 to pin #7. (location B)

2. Solder jumper wire location B (1st) to

location A (2nd).

B. High bargraph (2nd) setup:

1. Remove VR2. (low ref. adj).

2. Remove R1.

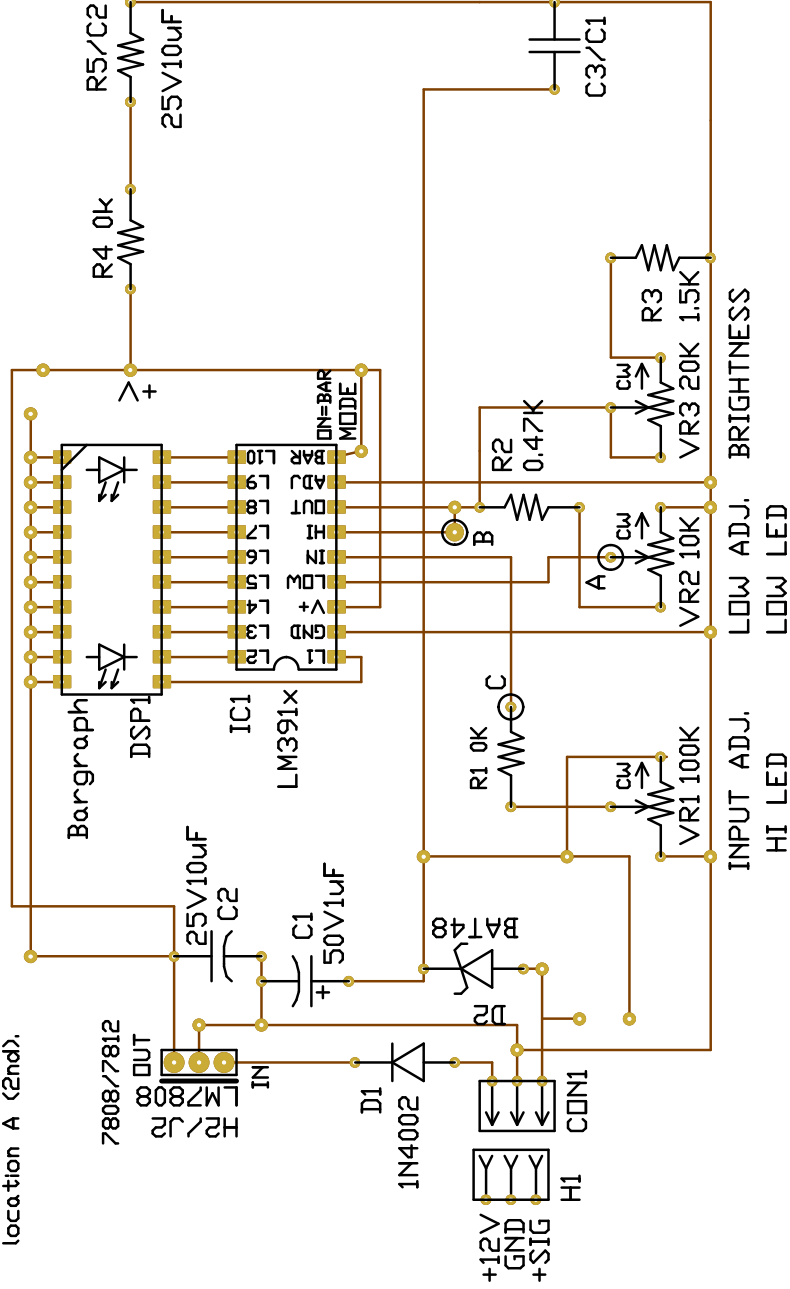
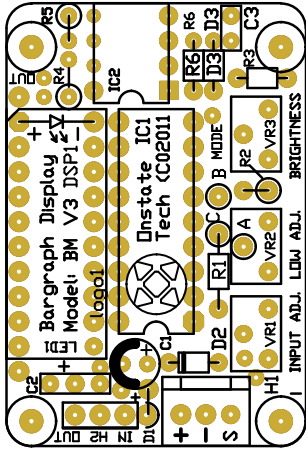
3. Connect both inputs together (location C).

Bargraph Display Meter Bargraph Meter

logo1



Part:PEBM V3 (C)2011



Display Dot/Bar mode:

- 1. Cut trace on bottom side near MODE label to pin9

Refer to bargraph display technical specifications for more information