

All *-ND are Digi-Key part codes (Digi-key.com)

All resistors: 1/8W, 5%

C1: 10uF 16-50V, electrolytic, radial

C2: 16-50V 10-47uF, electrolytic, radial

J2/H2: LM7808, 8V regulator, TO-220

LM7805/7812

D1: J2, 1N4002DICT-ND, general Si diode, 1A

IC2: LM258N, dual op-amp

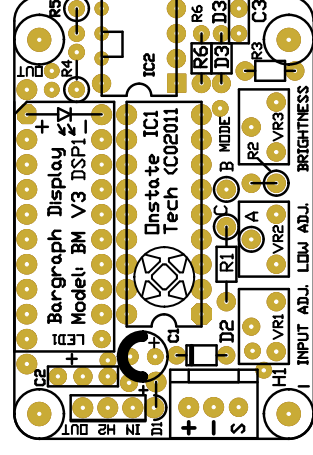
C1 or C3: C1 or C3: P813-ND, 10uF 25V, mini, radial

C2: C1 or C3: P813-ND, 10uF 25V, mini, radial

DISP1: 10 LED bargraph, LED

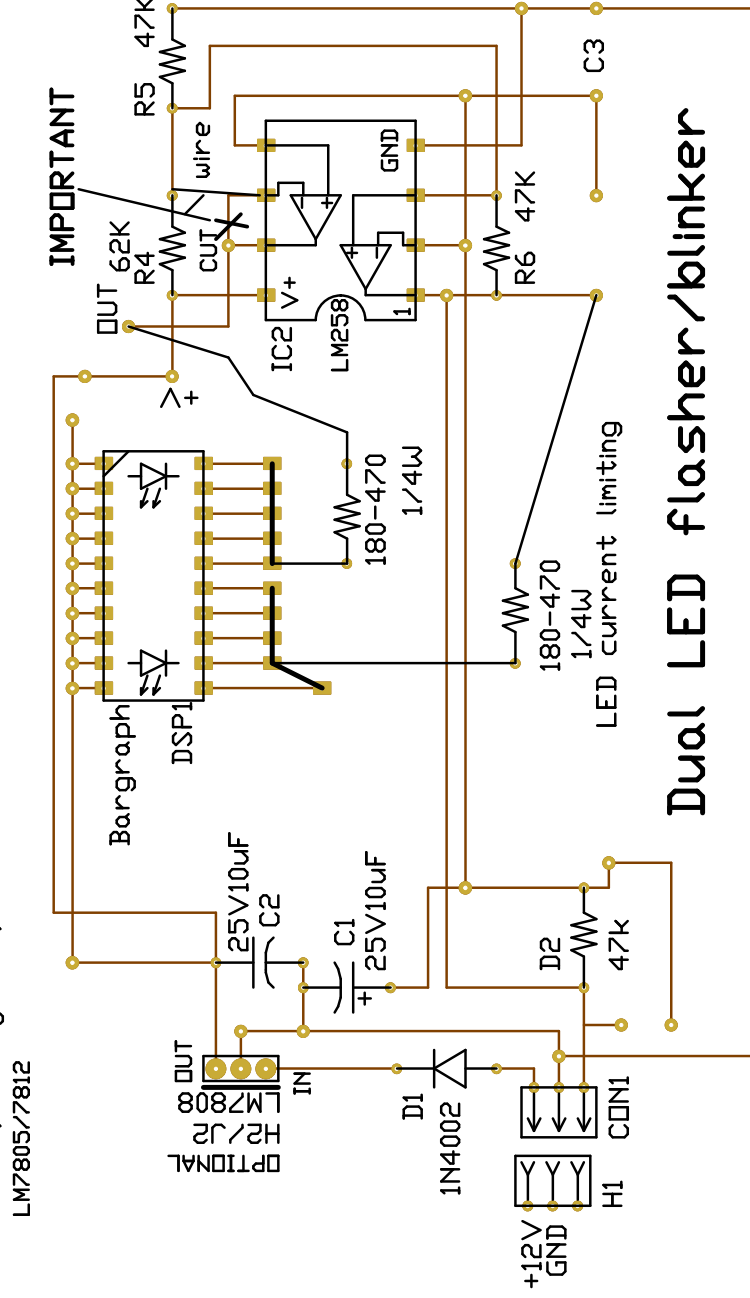
Bargraph Display Meter

Part: PEEM V3



IC2 (LM258) Op-amp output:

1. Pin 1=square wave
2. Pin2= \wedge wave
3. Pin7 (OUT)=square wave
4. D2=Resistor (47k)
5. D2/C1+C3 set frequency
6. C1=10uF, D2=47k, f=1.4Hz
7. Op-amp, 20mA max. per output



Dual LED flasher/blinker

Refer to bargraph display technical specifications for more information