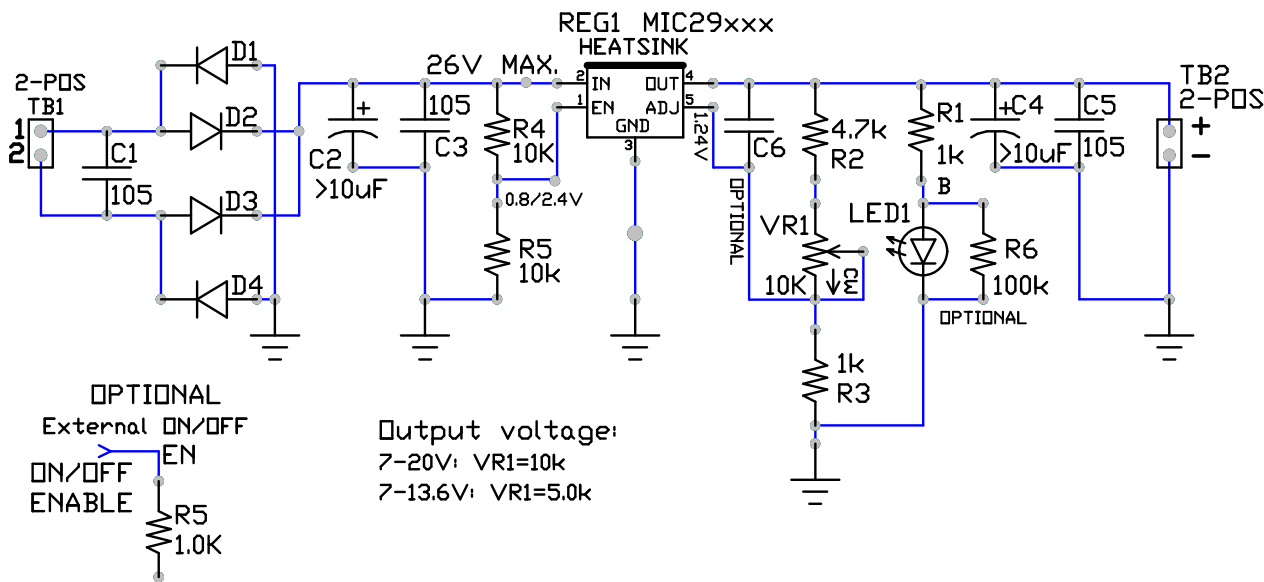
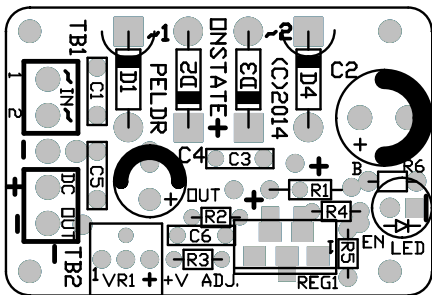


Parts Labels



LOW DROP-OUT REGULATOR

Part: PELDR (C)2014

ADJUSTABLE LDO LINEAR REGULATOR

All *-ND are Digi-Key part codes (Digi-key.com)
All resistors: 1/8W, 5%, (value)EBK-ND
(value)EBK-ND, eg. 47KEBK-ND (47K)
VR, 3362P/3362U-(VALUE)LF-ND, top adj. 103=10k
TB: terminal block, 0.15", 609-3918-ND/A98166-ND
3.5mm: ED2740-ND, 277-1721-ND, ED1514-ND

D1-D4: 1N4001, general diode, 1A

1N5819, 1A schottky, 1N5822 3A

C2/C4: power filter, any type >10µF

493-1084-ND/399-6128-ND:35V 470µF

P12390-ND:25V 680µF, P12415-ND:35V 470µF

REG1: Micrel LDO, MIC29xxx, TO-220
HEATSINK REG1

LED1: 5mm any type

C1/C3/C5: 1µF, 0.2", cer. mono.

C6: OPTIONAL, V transient stability
<2A=103, >3A=223

R6: optional.

