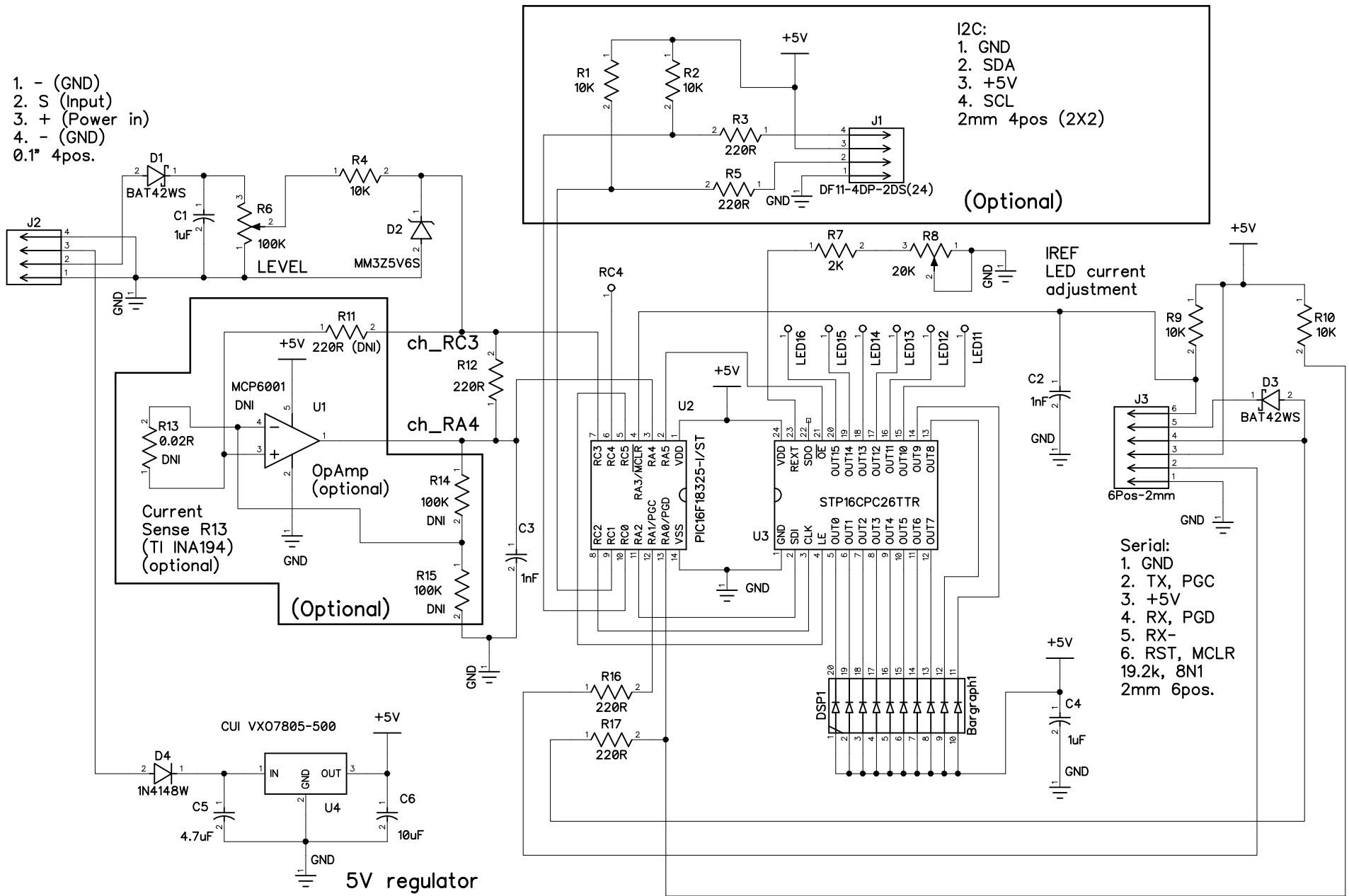


- 1. - (GND)
 - 2. S (Input)
 - 3. + (Power in)
 - 4. - (GND)
- 0.1" 4pos.



I2C:
 1. GND
 2. SDA
 3. +5V
 4. SCL
 2mm 4pos (2X2)

(Optional)

Serial:
 1. GND
 2. TX, PGC
 3. +5V
 4. RX, PGD
 5. RX-
 6. RST, MCLR
 19.2k, 8N1
 2mm 6pos.

Note:

- 1. DNI = Do Not Install
Optional item for configurations.
- 2. J1, J2 & J3 pin conncion may be inverted depending on TOP or BOTTOM installation.

PICBM v1.0
 Bargraph Display
 www.OnstateTech.com
 (C)2021 Jan. 15/21