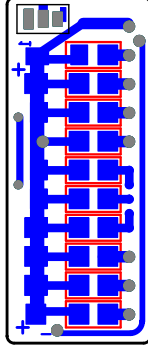
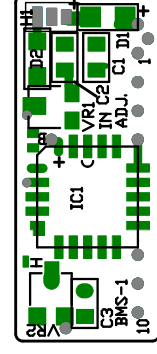


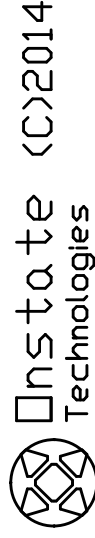
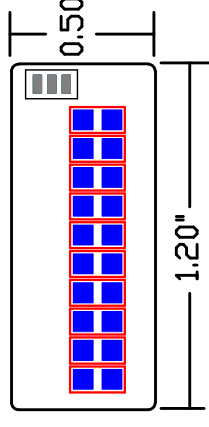
Top Trace



Bottom Trace



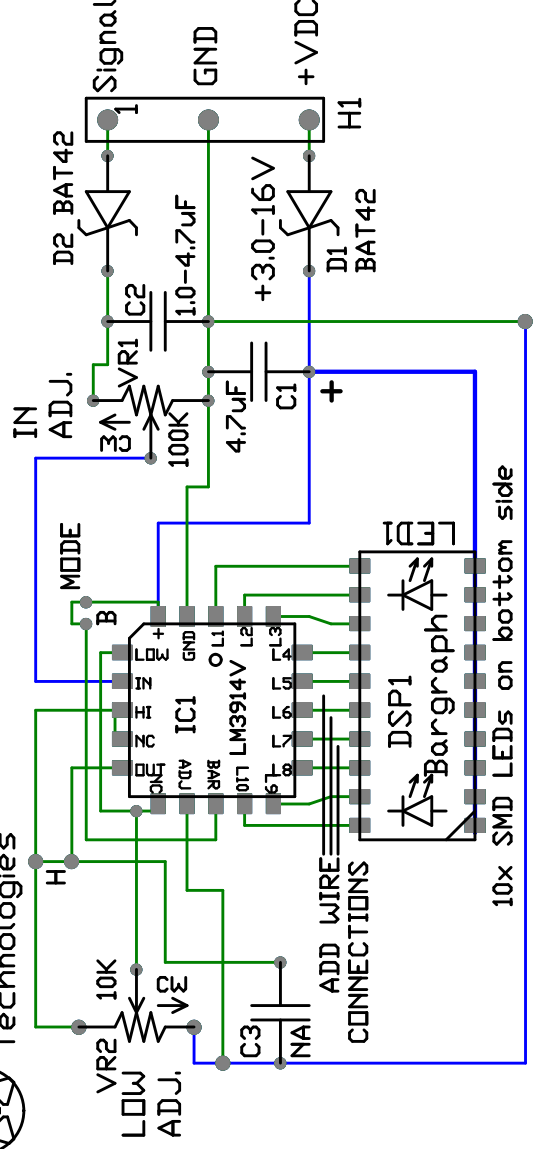
Legend Labels



Onstate (C)2014 Technologies

SMD Mini Bargraph Display Meter

Part: PCB-PEBMS-1



Voltage display bargraph meter

DSP1: 10x 3x2mm SMD LED

IC1: LM3914V SMD, linear LED driver

VR1: 100k SMD, Bourns TC33X-2-104E

VR2: 10k SMD, Bourns TC33X-2-103E

C1/C2: 4.7uF 16V, 0805 SMD

SMD LED: 754-1770-1-ND, 754-1081-1-ND

D1/D2: BAT42W, 30V 0.2A SODI23

H1: 1.25mm, 3-pin RA, Molex 0530480310

10x SMD LEDs on bottom side