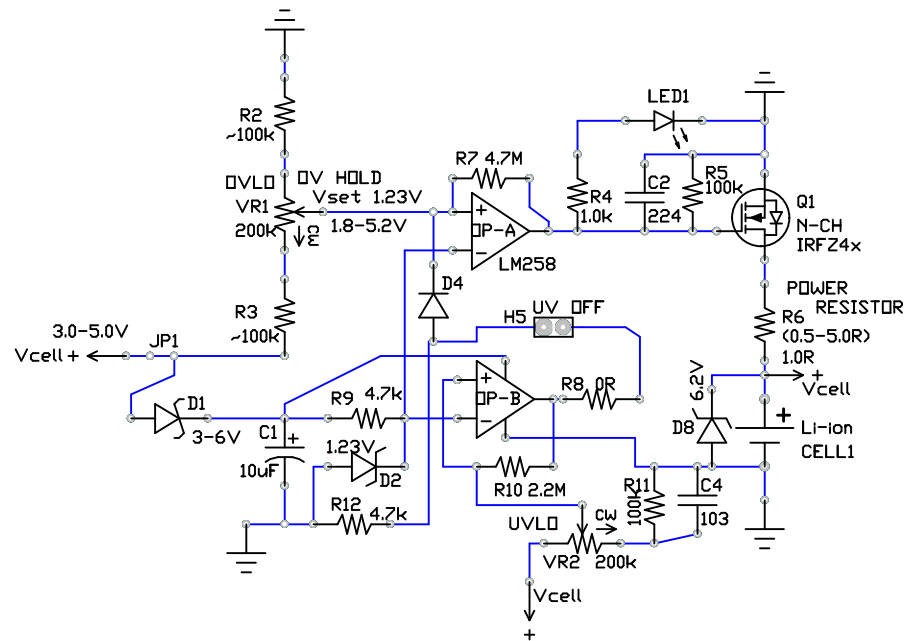
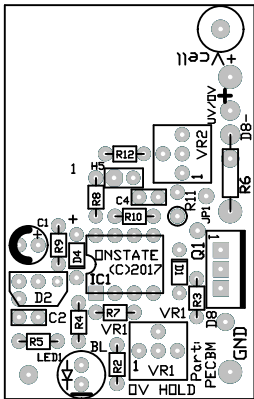


CELL DISCHARGING/CHARGING BALANCE CIRCUIT UNDER/OVER-VOLTAGE SHUT-OFF, BOTTOM/TOP BALANCE

Circuit Operation:

Cell Balancing Module

- Cell over-voltage limit
- Cell balance voltage shunt
- Cell under-voltage control
- Cell discharge balance optional



Confidential (C)2017 Onstate Technologies Inc.



All information are property of Onstate Technologies Inc. No information shall be disclosed without permission from Onstate Technologies Inc.