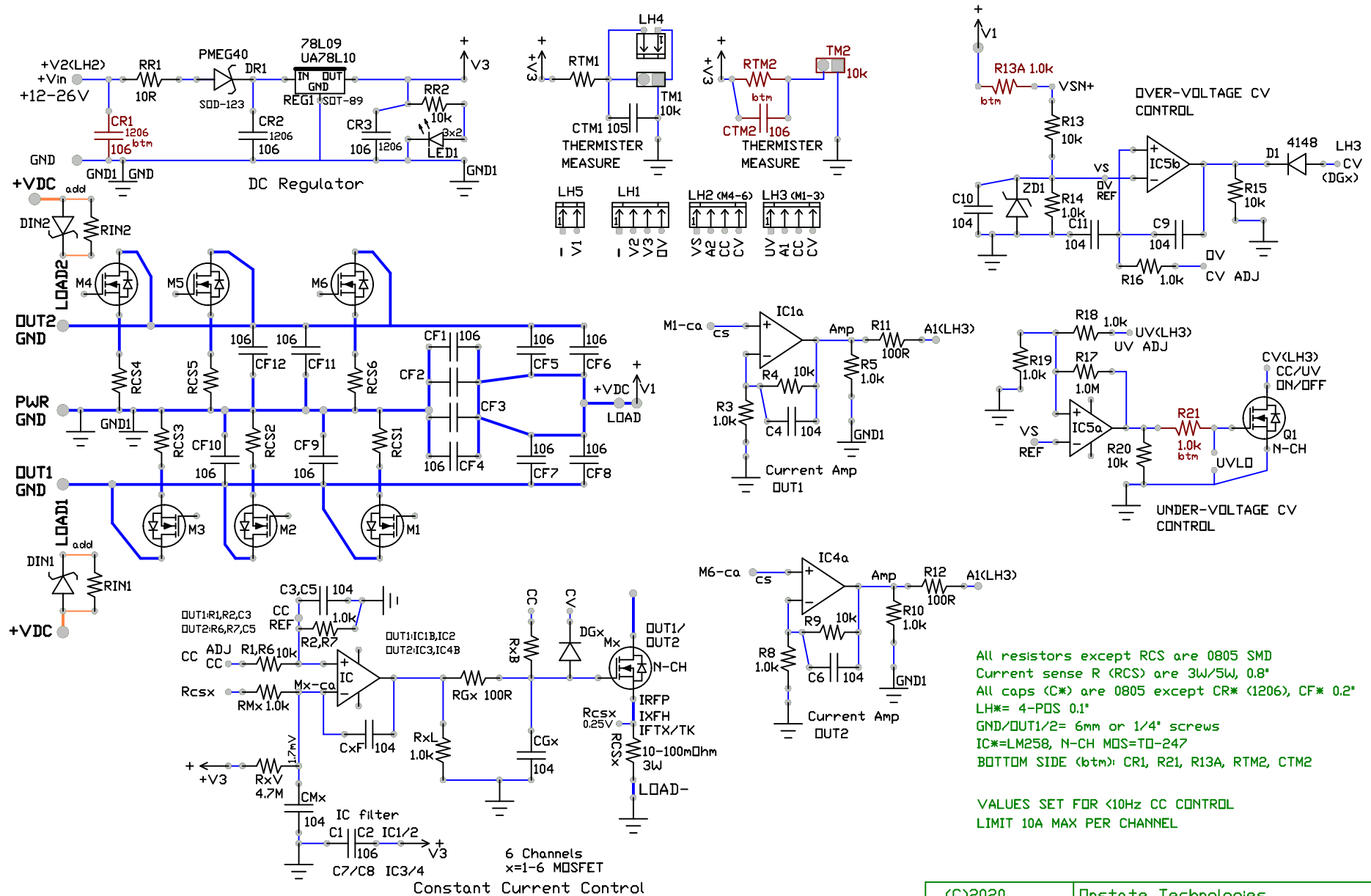


Electronic Load Regulator Module



All resistors except RCS are 0805 SMD
 Current sense R (RCS) are 3W/5W, 0.8"
 All caps (C*) are 0805 except CR* (1206), CF* 0.2"
 LH* = 4-PDS 0.1"
 GND/OUT1/2 = 6mm or 1/4" screws
 IC* = LM258, N-CH MOS = TD-247
 BOTTOM SIDE (btm): CR1, R21, R13A, RTM2, CTM2

VALUES SET FOR <10Hz CC CONTROL
 LIMIT 10A MAX PER CHANNEL

(C)2020	Onstate Technologies
Onstate Tech CC/CV LOAD 60V 100A CC load circuit	