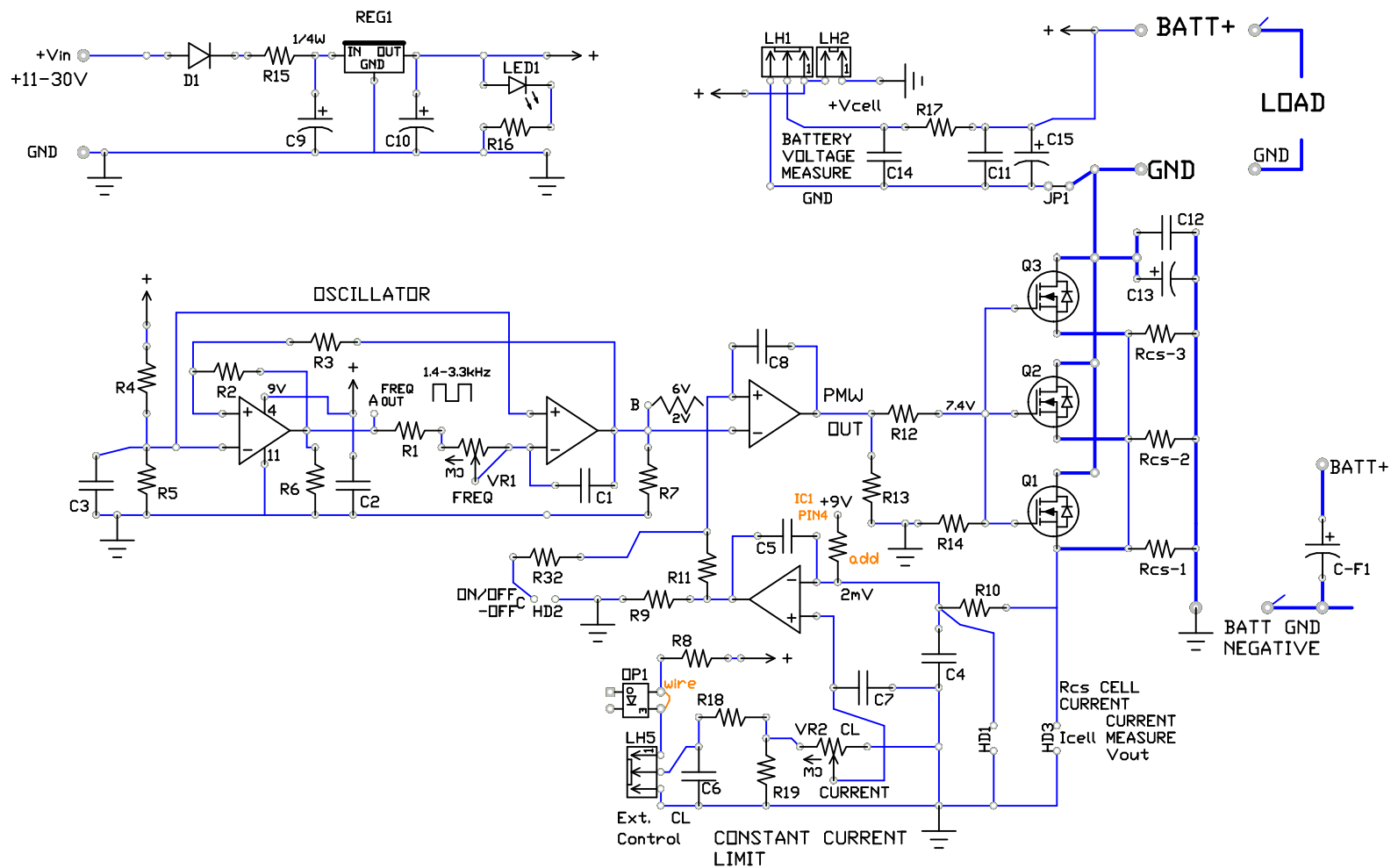


CCPWM Control Module



All resistors except Rcs are 1/8W, 0.225"
 Current sense R (Rcs) are 3W, 0.7"
 Mono caps are 0.2" spacing
 Filter caps are alum. ele.
 VR's are 3362P type or similar
 IC1=LM224N, IC2=LM258N

Onstate Technologies

Onstate Tech
 CCPWM
 12/24V 30A
 HHD circuit

Description: Constant Current PWM Controller Module, CC Mode Only

Date: June 15, 2020

Part Code: PCB-HCCC-2

Rev. 1

File: Schematic HCCC-2 V1 CCPWM circuit

Drawn By: D. H.

Page: 1 of 1