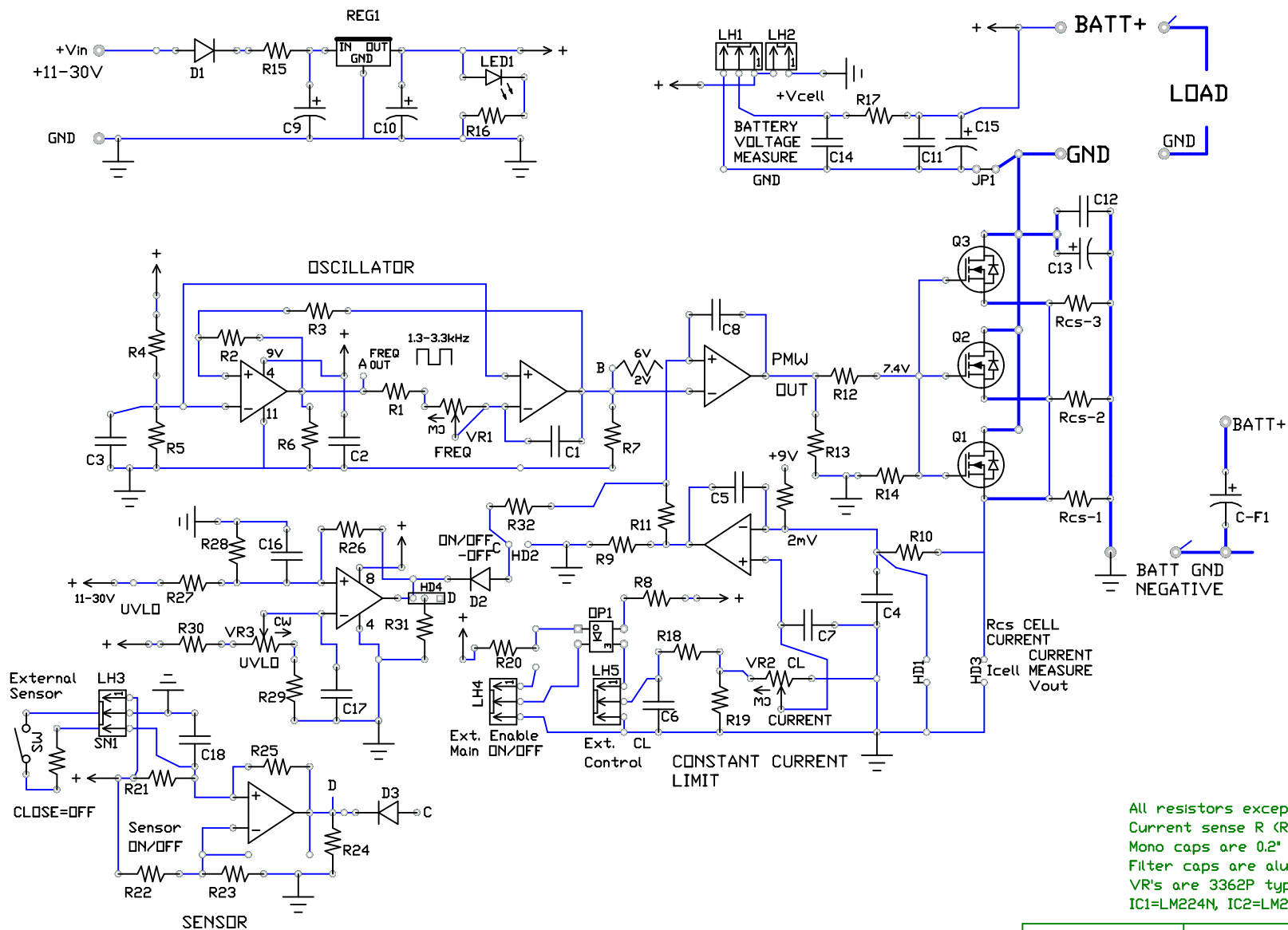


# CCPWM Control Module



All resistors except Rcs are 1/8W, 0.225"  
 Current sense R (Rcs) are 3W, 0.7"  
 Mono caps are 0.2" spacing  
 Filter caps are alum. ele.  
 VR's are 3362P type or similar  
 IC1=LM224N, IC2=LM258N

Onstate Technologies

Onstate Tech  
 CCPWM  
 12/24V 30A  
 HHD circuit