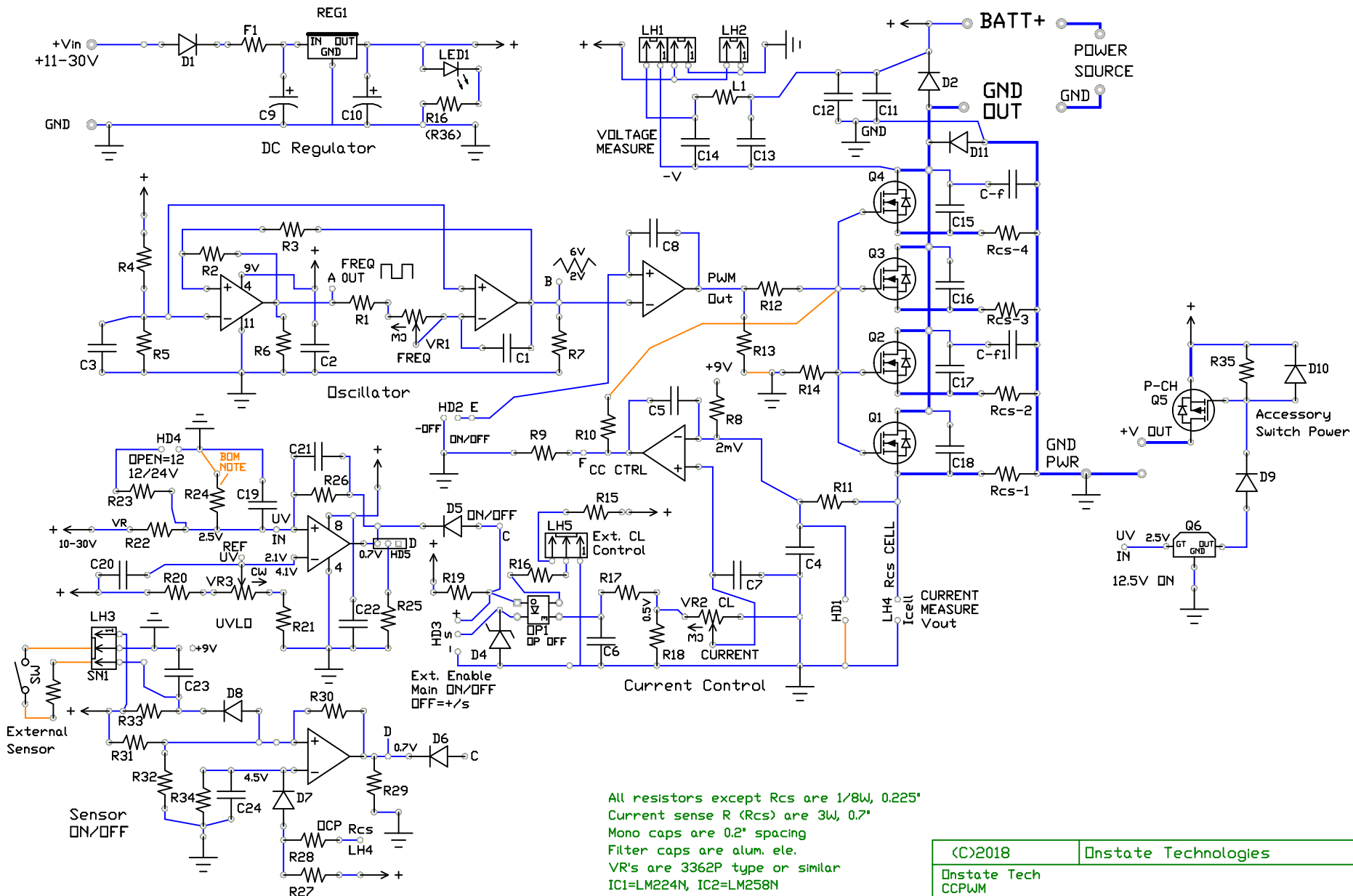


CC Load Control Module



All resistors except Rcs are 1/8W, 0.225"
 Current sense R (Rcs) are 3W, 0.7"
 Mono caps are 0.2" spacing
 Filter caps are alum. ele.
 VR's are 3362P type or similar
 IC1=LM224N, IC2=LM258N

(C)2018	Onstate Technologies
Onstate Tech CCPWM 12/24V 50A CC load circuit	

Description: Constant Current Load Contoller Module

Date: July 20, 2020

Part Code: PCB-HCCC-3

Rev. 1

File: Schematic HCCC-3 V1 CC load circuit

Drawn By: D. H.

Page: 1 of 1