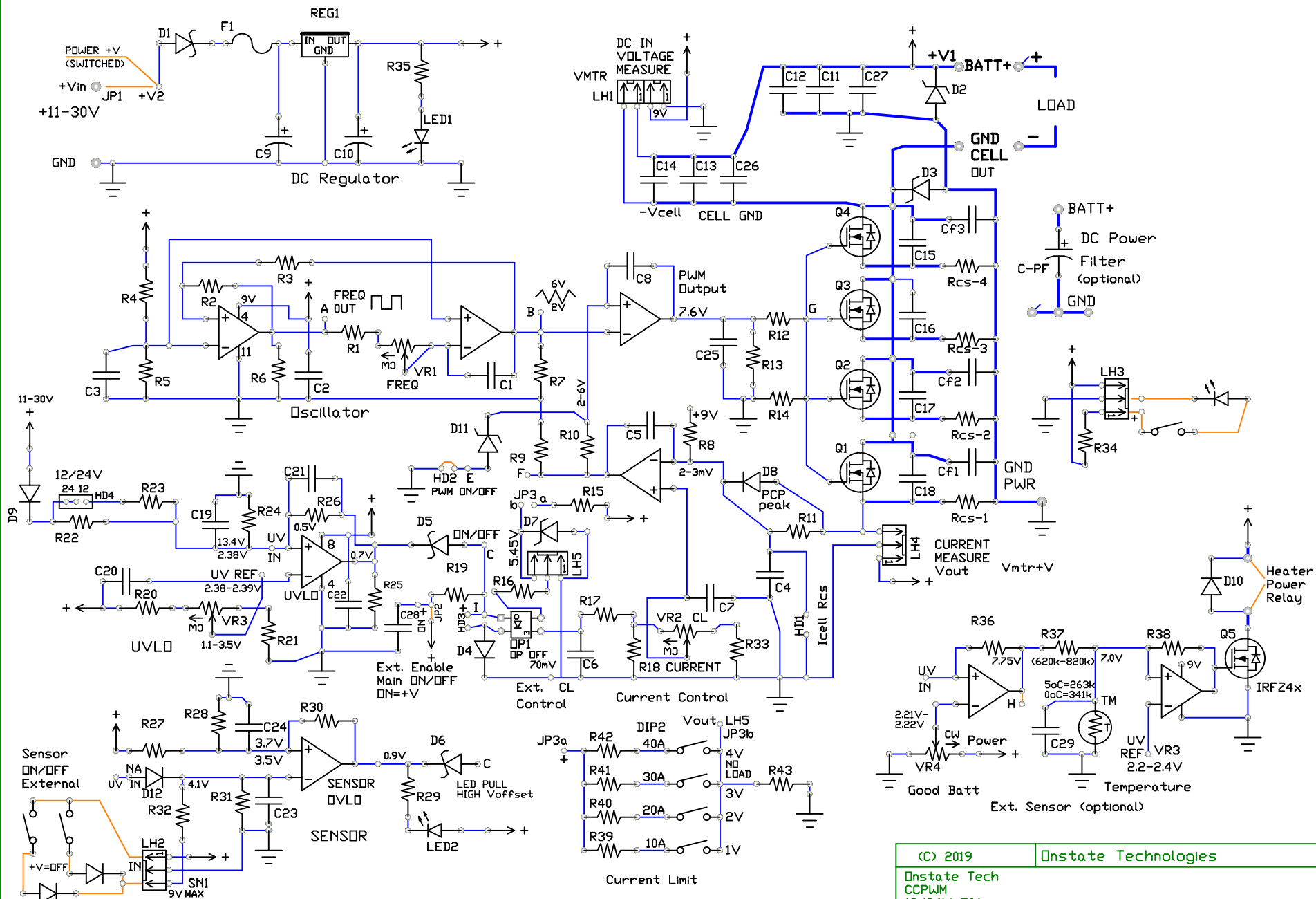


HHD CCPWM V3B Control Module



Description: HHD Constant Current PWM Contoller Module

Date: June 27, 2020

Part Code: PCB-HCCC-3B

Rev. 1

File: Schematic HCCC-3B V1 CCPWM circuit

Drawn By: D. H.

Page: 1 of 1

(C) 2019	Onstate Technologies
Onstate Tech CCPWM 12/24V 50A HHD circuit	