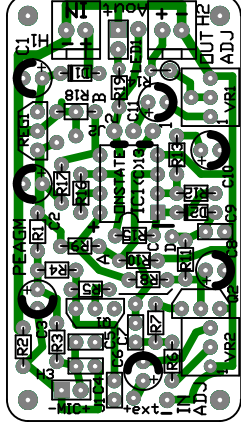
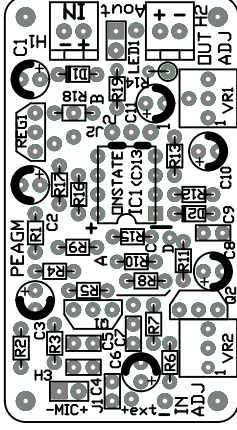
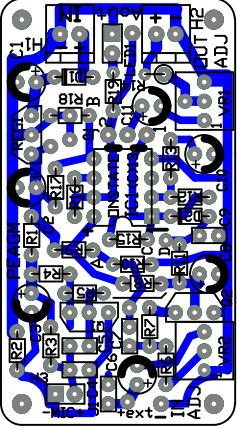


AGC microphone pre-amp/amp low level ctrl

All parts available from Digikey.

- DigiKey parts *-ND.
- All resistors: 1/8W, 5%
- (value)EBK-ND, eg. 47KEBK-ND (47K)
- C (104): 0.1uF, cer. cap, 445-8421-ND/445-5303-ND
478-5741-ND/399-4151-ND
- C (105): 1.0uF, 445-8410-ND/445-8405-ND/445-8417-ND
- VR: trimmer, 3362U-1-102 (1k), -103 (10k), -104 (100k)
- REG1: 78L08, TO-92, 8V, 0.1A
- (value)EBK-ND, eg. 47KEBK-ND (47K)
- C (10F): 10uF, 16-50V, electrolytic cap, 0.1" any type
P813-ND, 10uF, 25V P5529-ND
- C (100uF): 16-50V, electrolytic cap, 0.1" any type
P5529-ND, 100uF, 16V
- D1/D2: 1N4148/BAT42, signal diode
- LED1: any type
- MIC: electret condenser microphones
2.2k, 10V max, 668-1296-ND
- Q1: NPN, 2N5088 (2N5088GDS-ND)
- Q2: J175 P-CH JFET, J175_D26ZCT-ND
- IC1: MC33072P high speed op-amp



PEAGM application modules:

1. Microphone Pre-Amp.
2. External audio input AGC control.
3. AGC microphone pre-amp/amp module.
4. Audio signal pulse/intensity output.

Onstate Technologies www.OnstateTech.com

on-tech@onstatetech.com
PCB-PEAGM AGC audio module
PCB: FR4, 1/16", double-sided, through-hole plated.
SMOBC (tin, HASL finish), Lead-free, RoHS

Dimension: 2.22"x1.22" +/- 0.01", 110mil radius corners
Holes: 4x 100mil, 2.0"x1.0"

Panel: V-scored, 6 PCBSSs/panel

VR3: 2.6-3.0V, LED1 signal peak/level/pulse out.

R15: to C= audio comparator frequency pulse digital out.
to D= audio peak/level/intensity out

Test point A: audio AGC signal out, low current.

Aout: buffered, AGC audio signal.

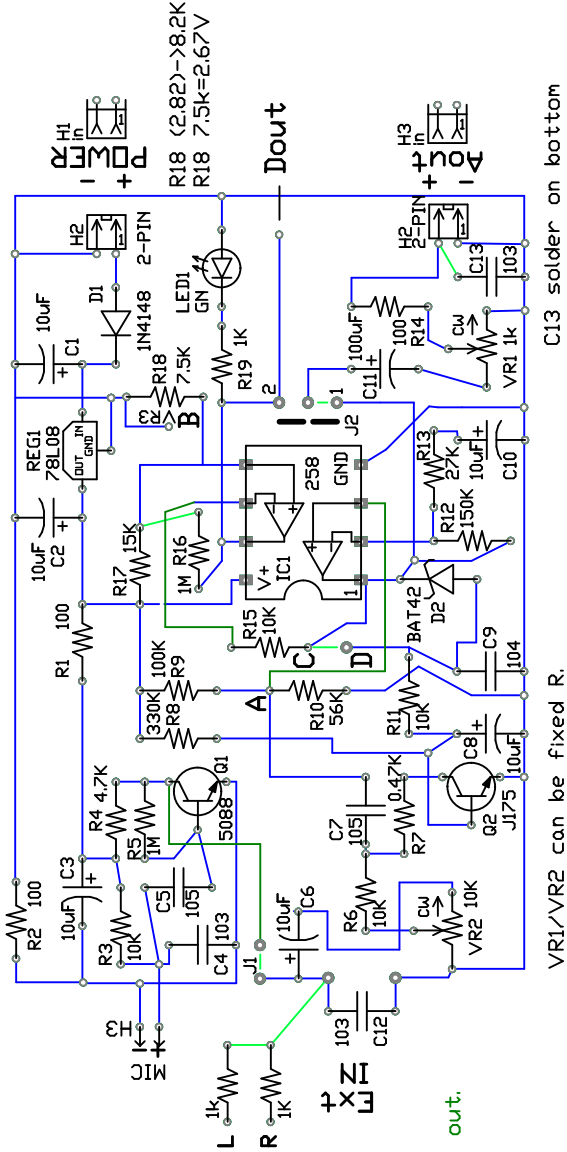
0.1-3.0Vp-p nominal input

0.4-1.5 Vp-p nominal output

AGC, 0.96V IN, D=2.59V

0.1Vin->0.45Vout, 2Vin->1.28Vout.

0.5Vin->0.81Vout, 4Vin->1.8Vout.



VR1/VR2 can be fixed R.

C13 solder on bottom

Confidential (C)2013 Onstate Technologies Inc.
All information are property of Onstate Technologies Inc.
No information shall be disclosed without permission from Onstate Technologies Inc.
Date: Oct. 12, 2013
Rev. 1 File Name: SCHEMATIC PEAGM 2 low line
Drawn By: D. H. Page: 1 of 1