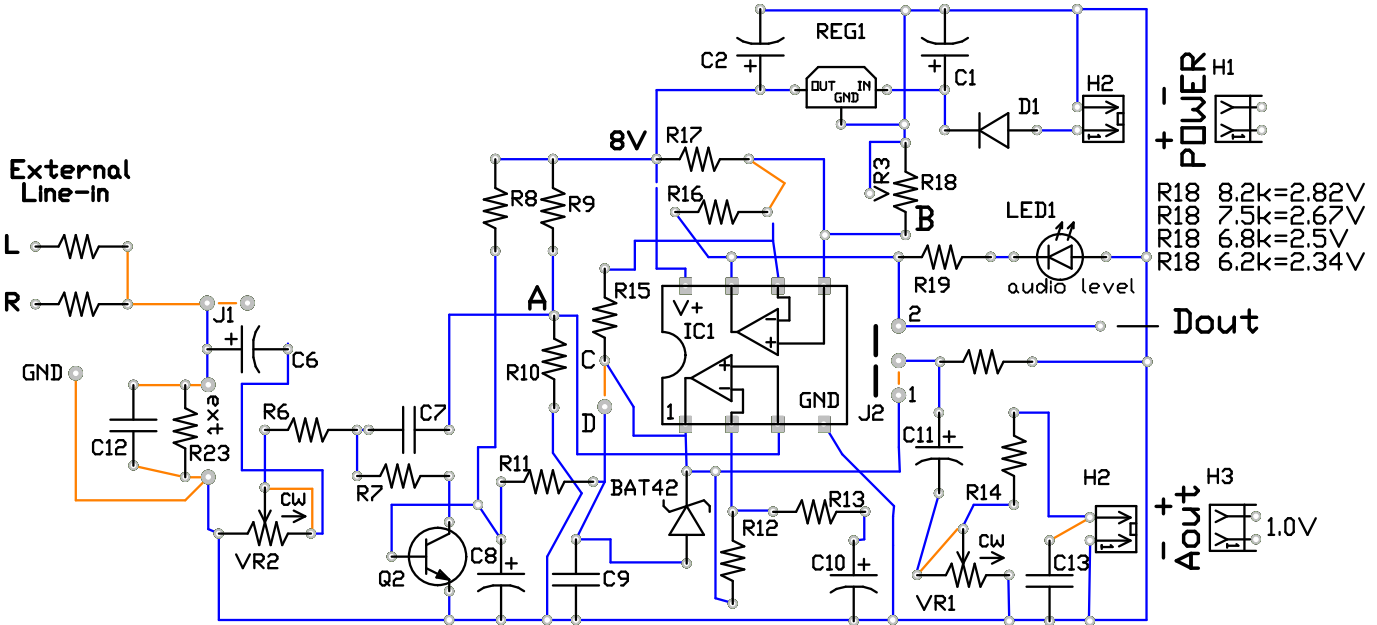
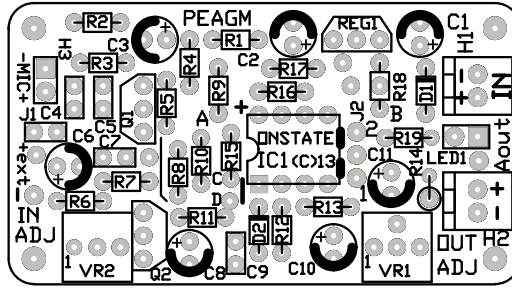


Line Input Audio AGC Output Level Limiter



VR1/VR2/VR3 can be fixed R

- H1
- POWER
- R18 8.2K=2.82V
- R18 7.5K=2.67V
- R18 6.8K=2.55V
- R18 6.2K=2.34V
- Dout
- H2
- Aout H3
- 1.0V

Confidential (C)2013 Onstate Technologies Inc.



All information are property of Onstate Technologies Inc. No information shall be disclosed without permission from Onstate Technologies Inc.

Date: Mar. 29, 2017