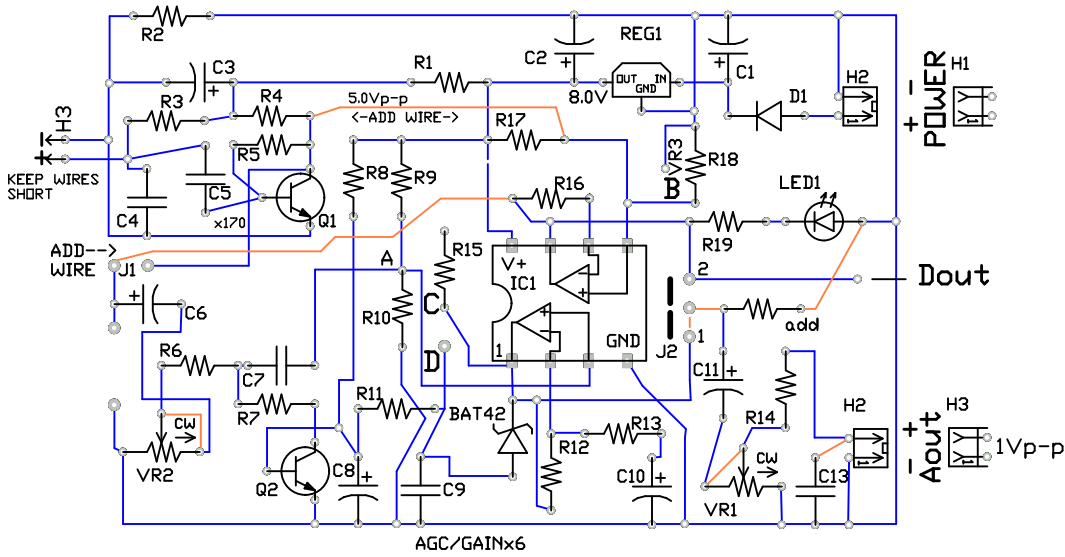
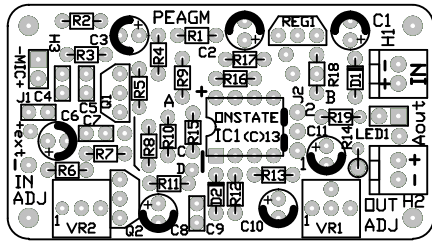


High Sensitivity Microphone Pre-amp W/AGC and Noise Filtering



Confidential | ©2013 Onstate Technologies Inc.



All information are property of Onstate Technologies Inc.
No information shall be disclosed without permission from Onstate Technologies Inc.

Date: Mar. 28, 2017

File Name:

Drawn By: D. H.

Page: 1 of 1