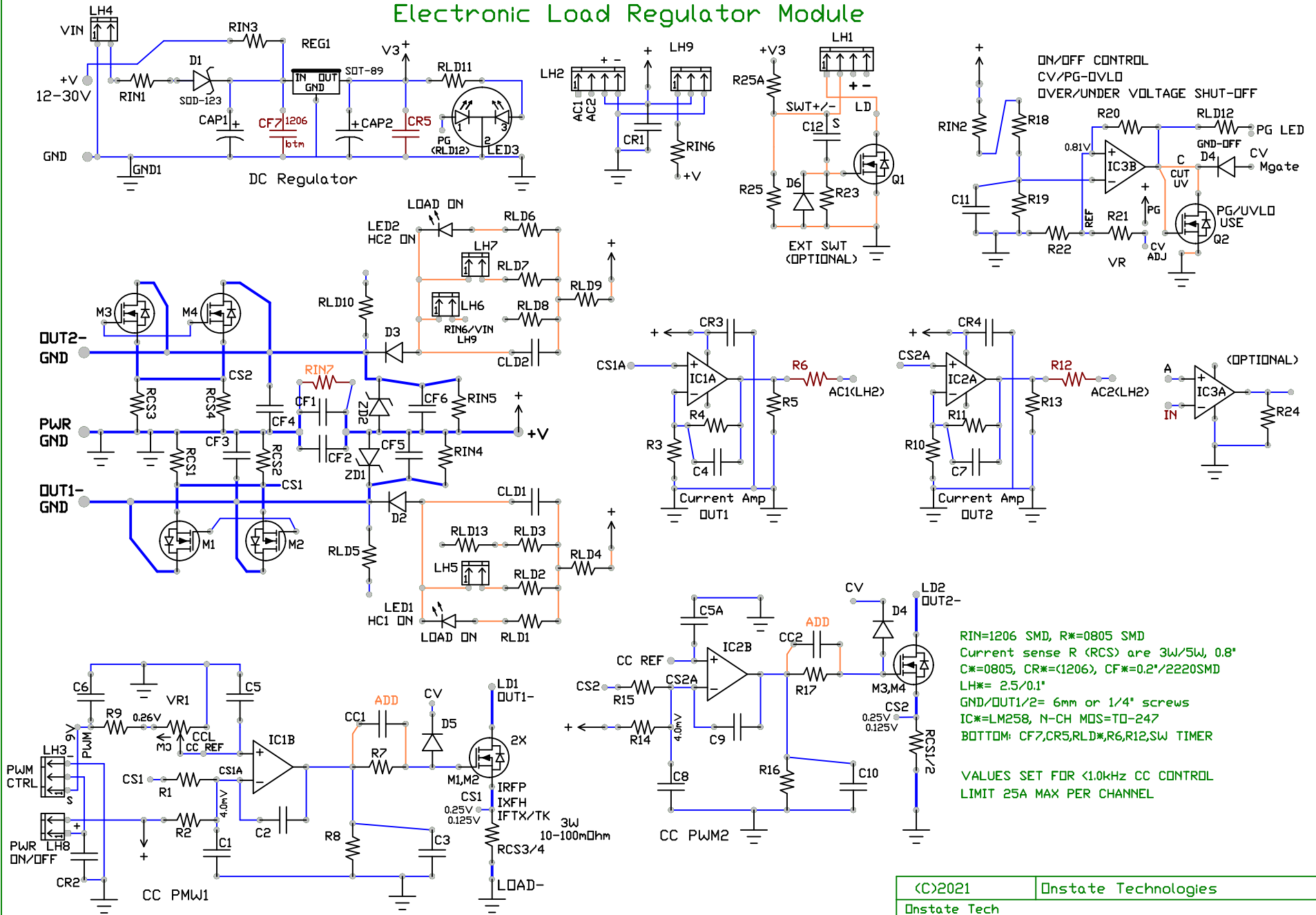


Electronic Load Regulator Module



Description: Dual CV-CC PWM Regulator
 Part Code: PCB-PEDCR-1

Date: May 26/21

Rev. 1 | File: Schematic PEDCR Dual CV-CC PWM Circuit 1.1

Drawn By: D. H.

Page: 1 of 1

©2021

Onstate Technologies

Onstate Tech
 CC/CV LOAD
 60V 50A
 CC load circuit