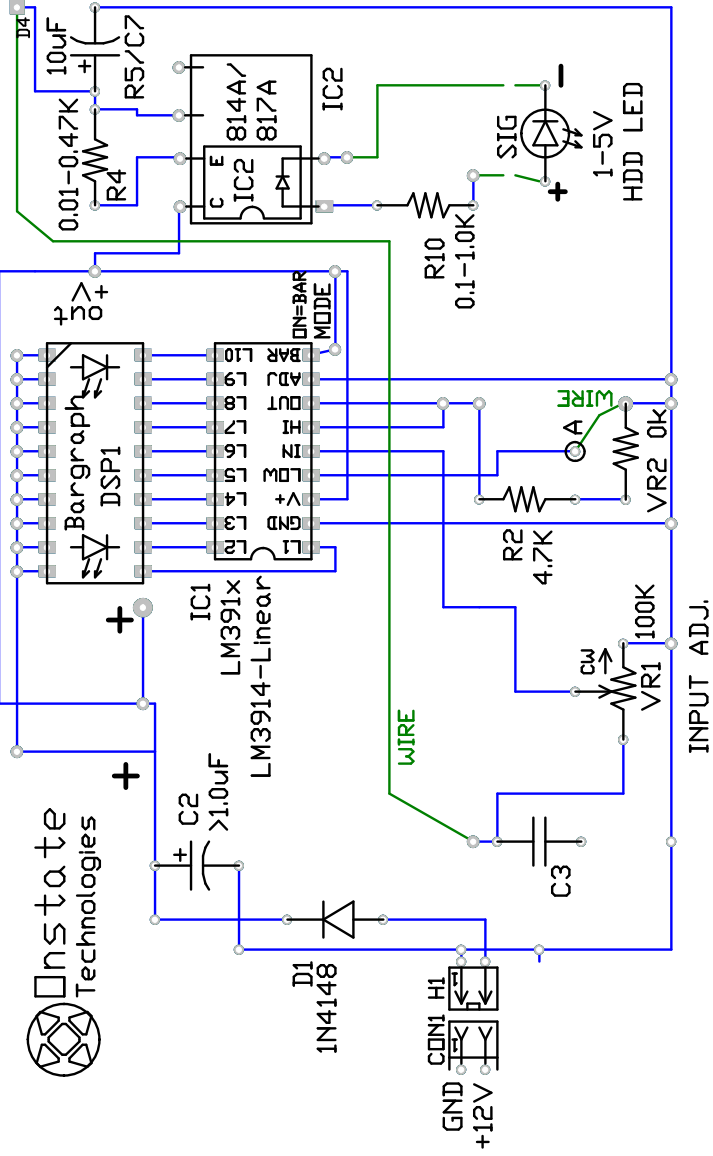
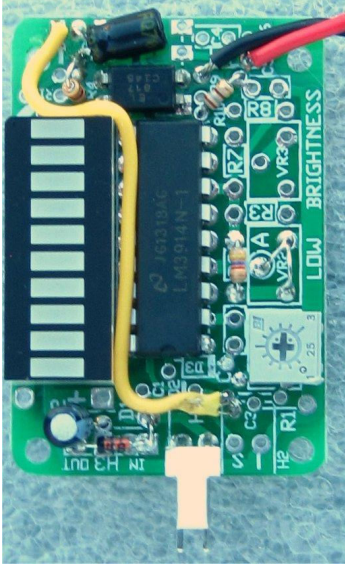
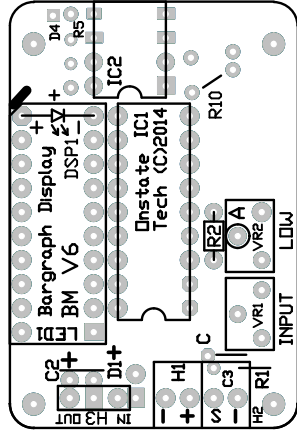


## Legend Labels



## Bargraph Display Meter Part: BM-V6 (C)2014 Isolated pulse->V display

1. PWM signal ->V display  
Set R10 for 2-5mA to opto-coupler  
R4=C7 charge rate.  
C7/VR1 is display decay response.
2. Computer HDD LED activity display.  
Set R10 for 2-5mA to opto-coupler  
R4=C7 charge rate.  
C7/VR1 is display decay response.  
Connect signal to HDD activity LED.  
0.1-0.2k for red LED.

Adjust VR1 for max LED display.  
IC1: LM3914N-1-ND, 10 seg, bargraph driver  
DISP1: 160-1067-ND, 10 seg, LED bargraph, GRN  
Display Dot/Bar mode:  
1. Cut trace on bottom side  
near MODE label to pin9