

Bargraph Display Meter

LOW SIGNAL INPUT DISPLAY METER

Audio or AC Signal Input



Bargraph Display Meter

Part: BM-V6 (C)2014

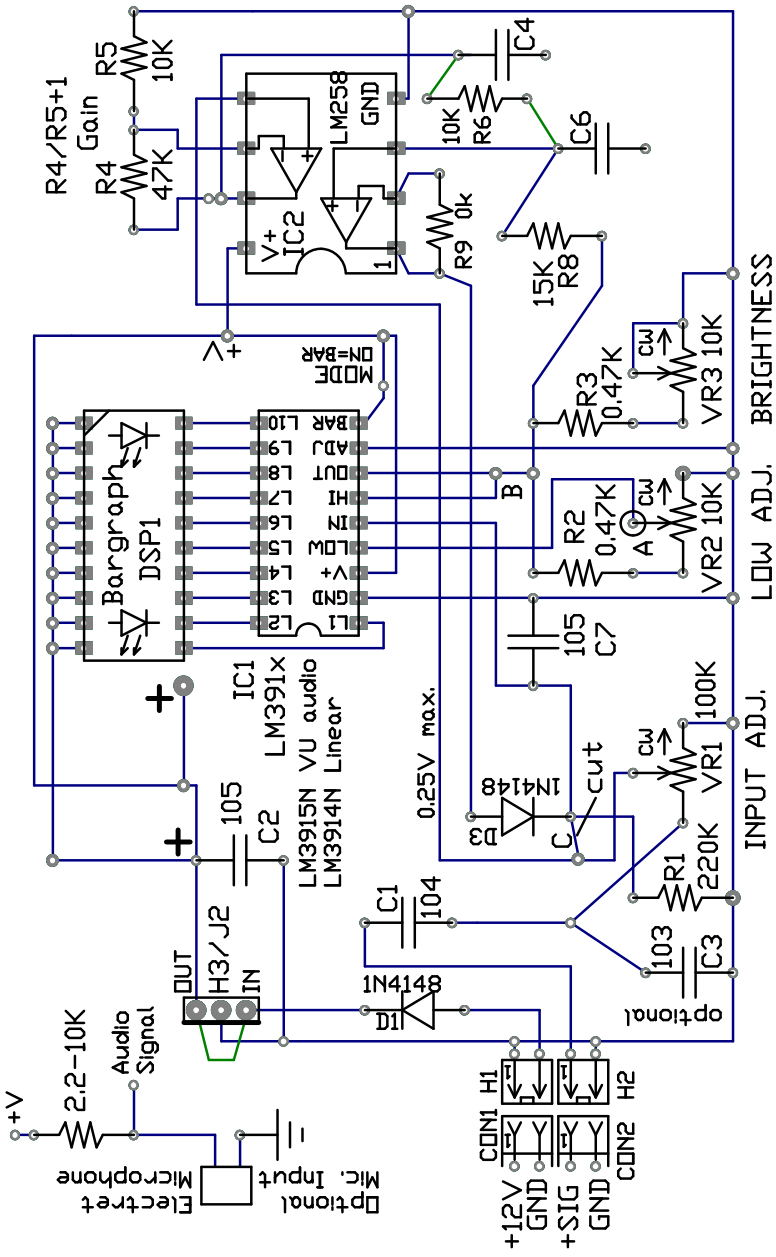
LOW SIGNAL LEVEL DISPLAY METER
0.01-0.50V earphone/line level audio input signal.

All *-ND are Digi-Key part codes (Digi-key.com)
No value on component is reference use
R, 1/8W (value)EBK-ND, eg. 47KEBK-ND (47K)
R1: display speed, 100k=fast, 470k=slow, C7*R1 time
Trimmer resistors (VR), Cermet, PC pins
3362P-<VALUE>LF-ND, top adj. 103=10k, 104=100k
3362P-1-104LF, 10k VR

D1: 1N4001/4148 (OPTIONAL, bypass)
J2/H3: 7808 reg or wire jumper
Caps C: mono cer. 104=0.1uF, 103=0.01uF, 105=1.0uF
C2: power filter, any type >1.0uF on +/-
IC1: LM3915N-1-ND, 10 seg. VU bargraph driver
IC1: LM258 dual op-amp
AMP-A=GAIN, AMP-B= 0.50V offset, Vout
DISP1: 160-1067-ND, 10 seg. LED bargraph, GRN
Display Dot/Bar mode:
1. Cut trace on bottom side near MODE label to pin9
Pulsed DC input: change C1 to R=1.0k.

Parts Labels

Cut at 'C' on bottom side trace



OP-AMP signal select, cut bottom trace "C" when using op-amp.
C3: optional input signal spike clamp.