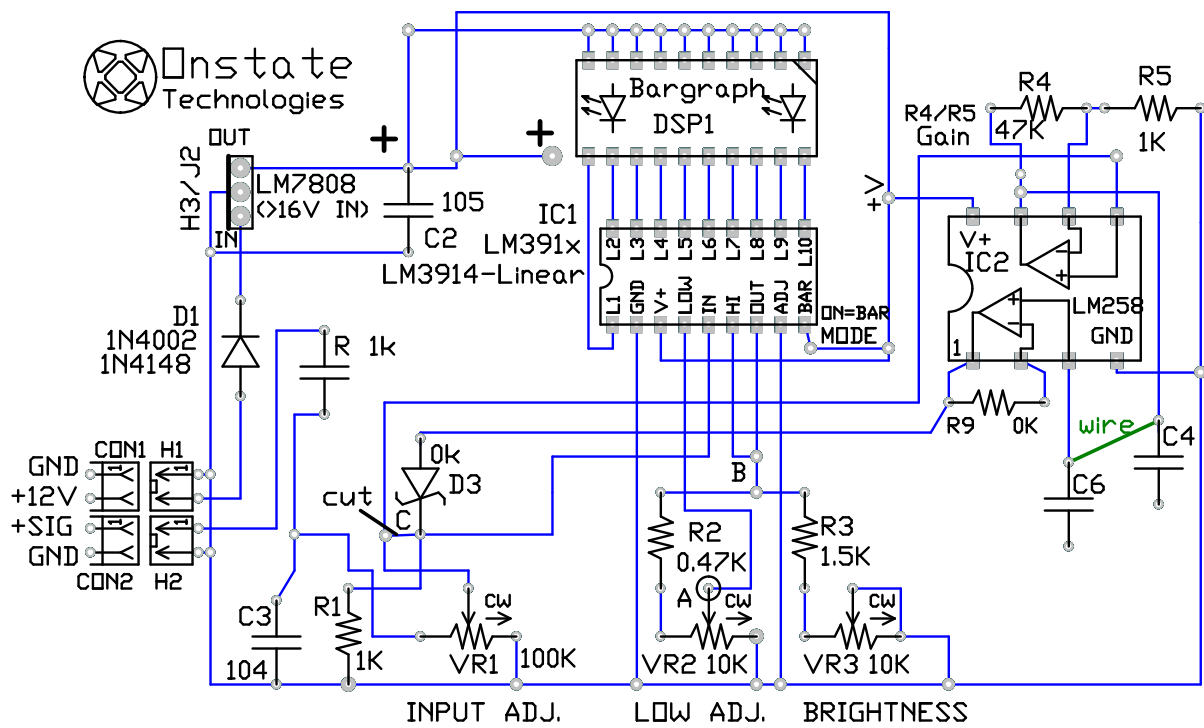


LED10 LED1
DISPLAY ADJ.

Bargraph Display Meter

Part: BM-V6

0-50mV DC AMP DISPLAY METER



C: OP-AMP signal select, cut bottom trace when using op-amp.