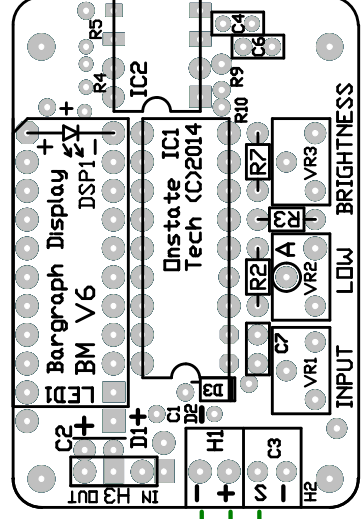
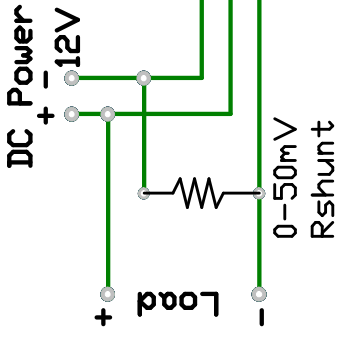


Cut at 'C' on bottom side trace

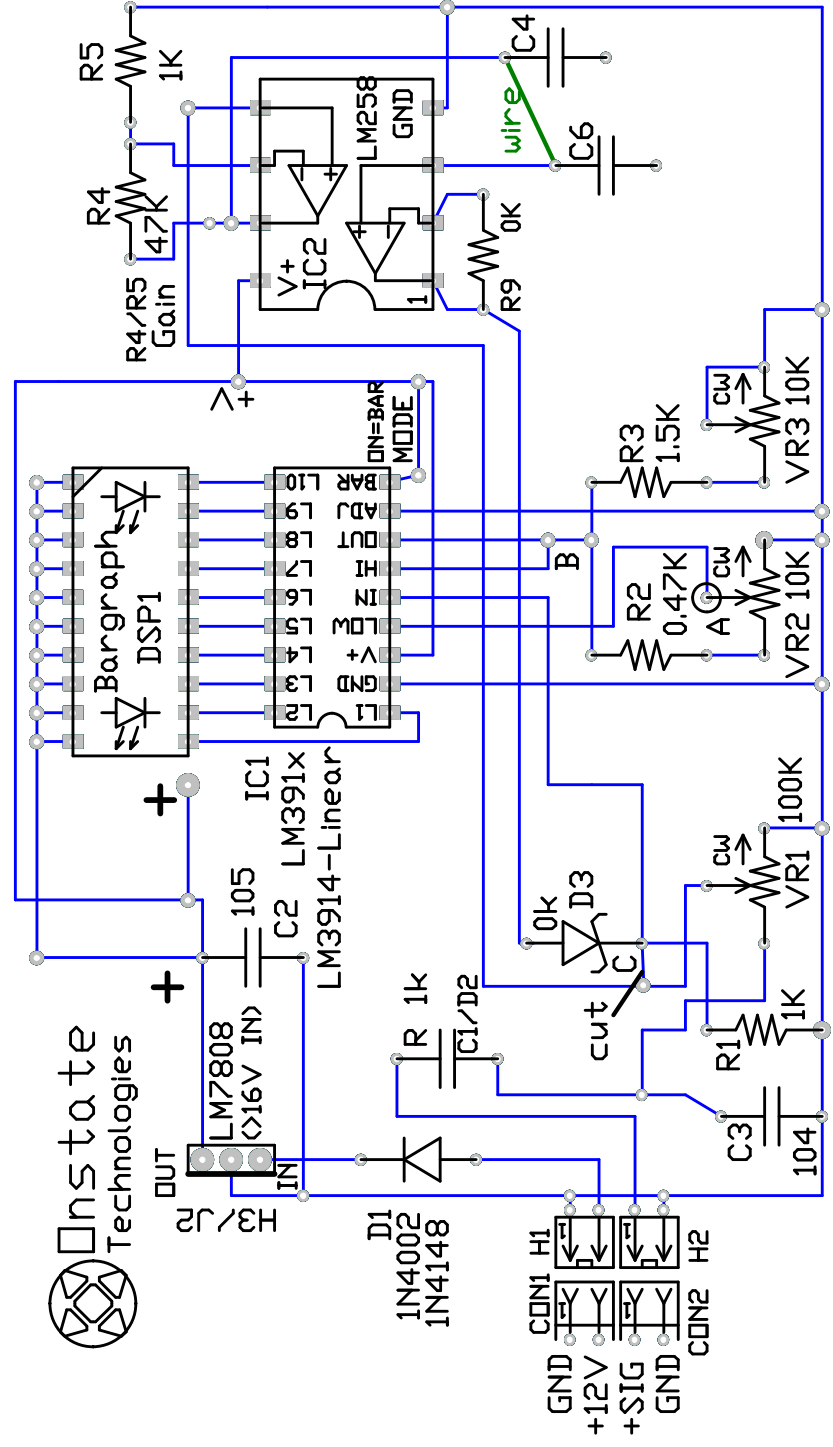


Current Shunt Input LED10 LED1 DISPLAY ADJ.



Part: BM-V6 Bargraph Display Meter

0-50mV DC AMP DISPLAY METER



INPUT ADJ. LOW ADJ. BRIGHTNESS

C: OP-AMP signal select, cut bottom trace 'C' when using op-amp.