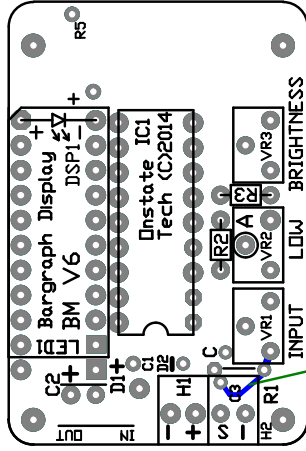
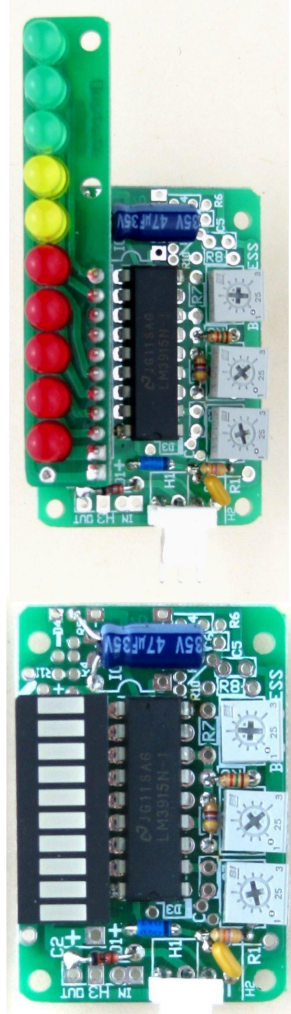
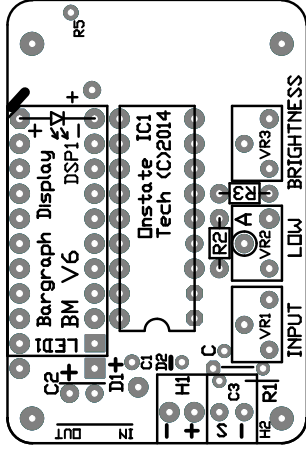


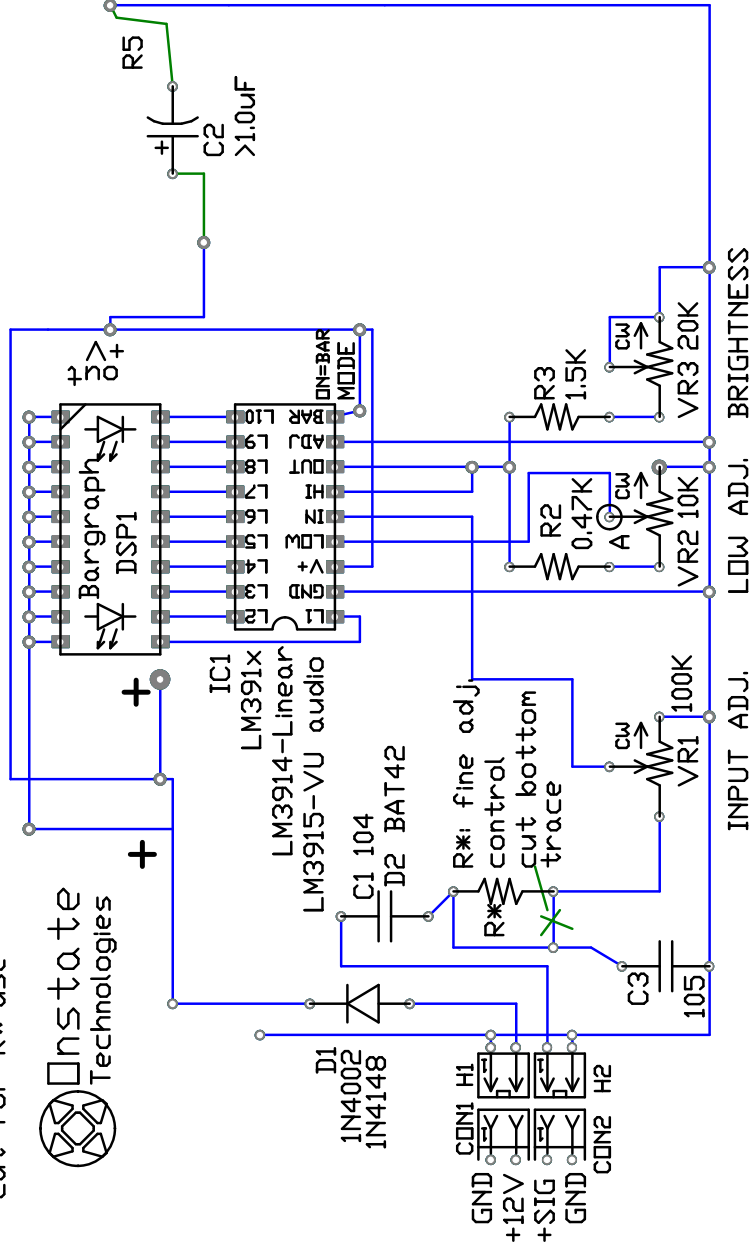
Bottom Layer Trace



Legend Labels



cut for R* use



Bargraph Display Meter Part: BM-V6 (C)2014

ADJ. LEVEL DISPLAY METER

All *-ND are Digi-Key part codes (Digi-key.com)
All resistors: 1/8W, 5%

(value)EBK-ND, eg. 47KEBK-ND (47K)

Trimmer resistors (VR), Cermet, PC pins

3362P-<VALUE>LF-ND, top adj. 103=10k, 104=100k

3362S-1-<VALUE>LF, side adj. 203=20k

D1: 1N4148, general Si diode, 0.2A

J2/H3: LM7808 for >16V in.

D2/D3: 497-2495-2-ND, BAT42 schottky, 30V, 200mA

Caps C*: mono cer. 104=0.1µF, 103=0.01µF, 105=1.0µF

C2: power filter, any type >1.0µF on +/-

IC1: LM391xN-1-ND, 10 seg. bargraph driver

DISP1: 160-1067-ND, 10 seg. LED bargraph, GRN

Display Dot/Bar mode:

1. Cut trace on bottom side near MODE label to pin9