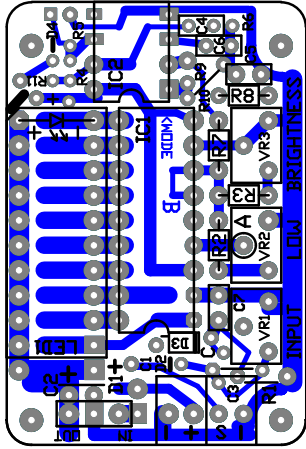
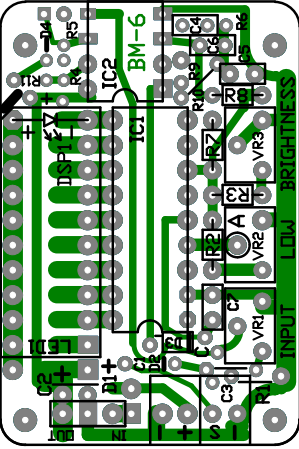


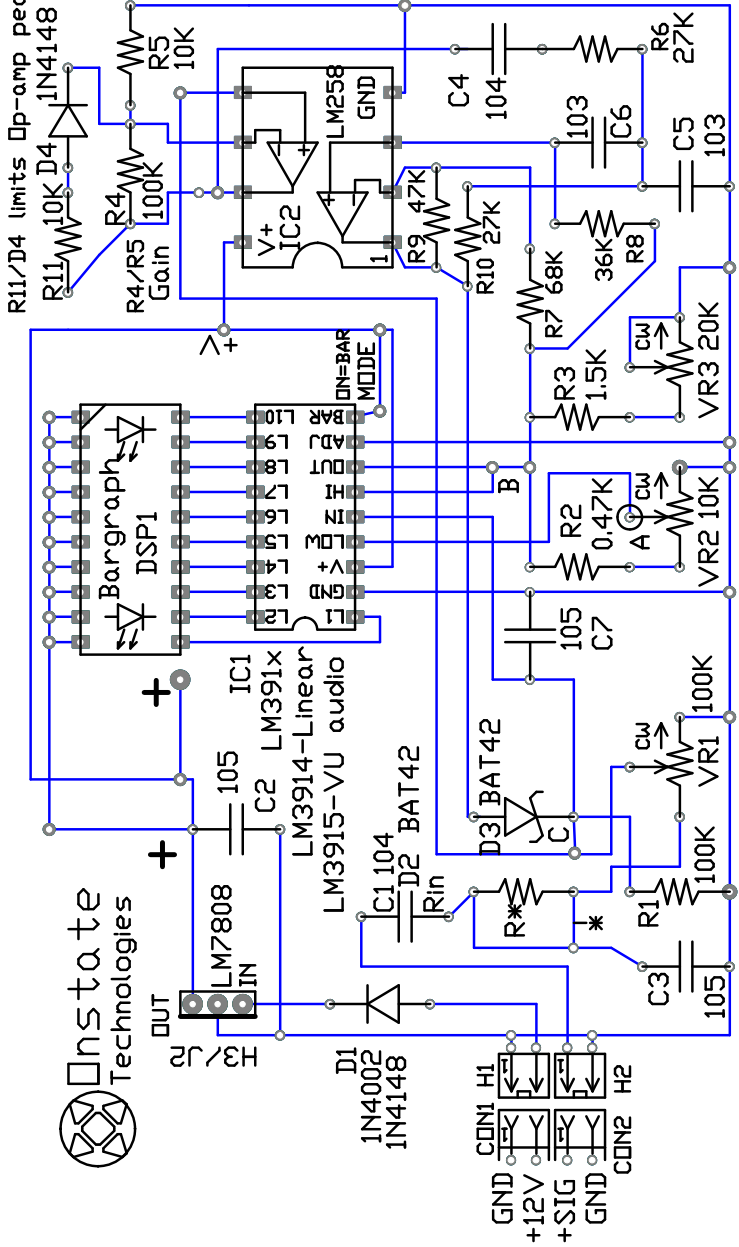
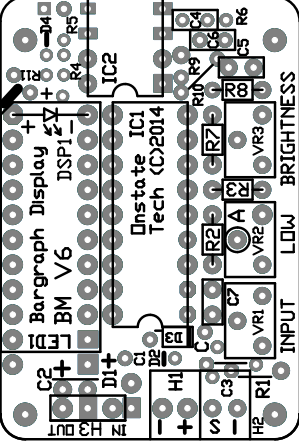
Bottom Layer Trace



Top Layer Trace



Legend Labels



R11/D4 limits Op-amp peak gain (optional).

Bargraph Display Meter
Part: BM-V6 (C)2014

AUDIO LEVEL DISPLAY METER

- All *-ND are DigI-Key part codes (DigI-key.com)
 All resistors: 1/8W, 5%
 (value)EBK-ND, eg. 47KEBK-ND (47K)
 Trimmer resistors (VR), Cermet, PC pins
 3362P-<VALUE>LF-ND, top adj. 103=10k, 104=100k
 3362S-1-<VALUE>LF, side adj. 203=20k
 DI: 1N4148, general Si diode, 0.2A
 J2/H3: Jumper, LM7808, 8V reg, 1A
 D2/D3: 497-2495-2-ND, BAT42 schottky, 30V, 200mA
 Caps C: mono cer. 104=0.1uF, 103=0.01uF, 105=1.0uF
 C2: power filter, any type >10uF on +/-
 IC1: LM3914N-1-ND, 10 seg. bargraph driver
 IC1: LM258 dual op-amp
 AMP-A=GAIN, AMP-B= AUDIO BANDPASS FILTER
 DSP1: 160-1067-ND, 10 seg. LED bargraph, GRN
 Display Dot/Bar mode:
 1. Cut trace on bottom side near MODE label to pin9

INPUT ADJ. LOW ADJ. BRIGHTNESS

- R*: fine adjustment divider when used. Cut bottom trace.
- Rim: VDC in fine adjustment divider.
- C: OP-AMP signal select, cut bottom trace when using op-amp.