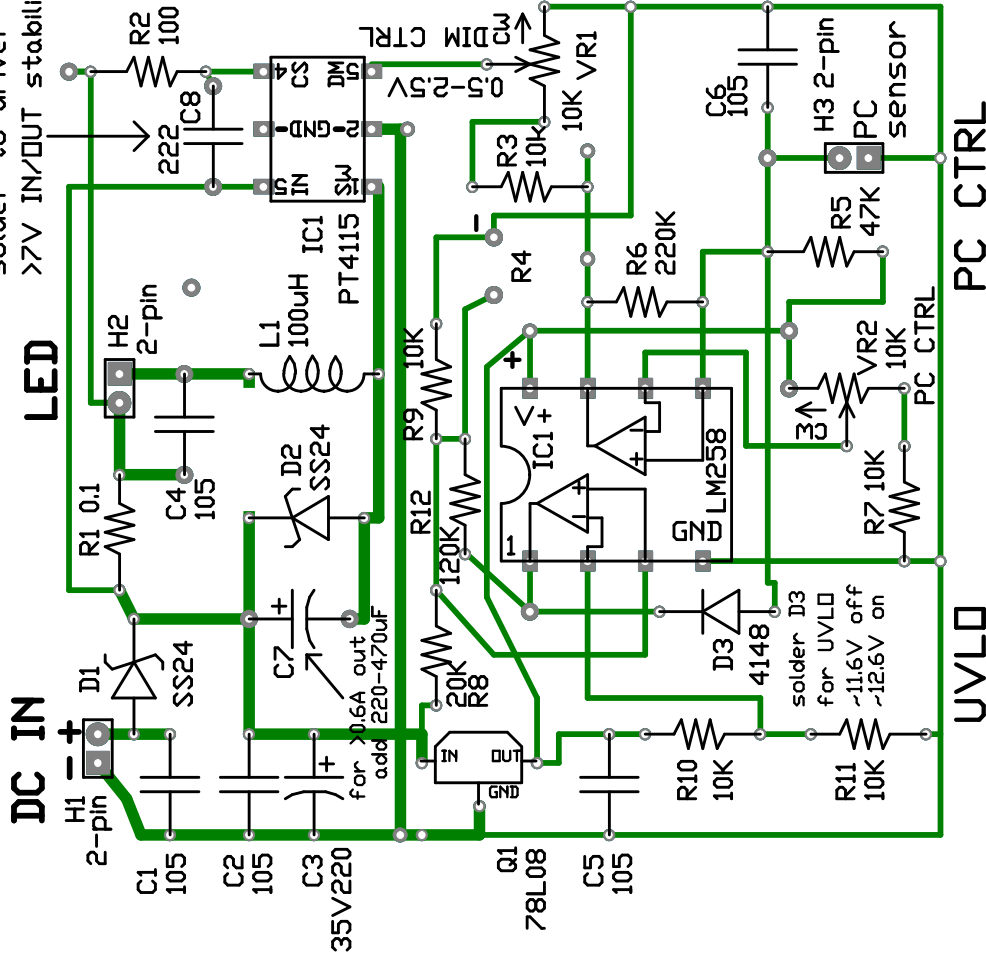


solder to driver for
>7V IN/OUT stability

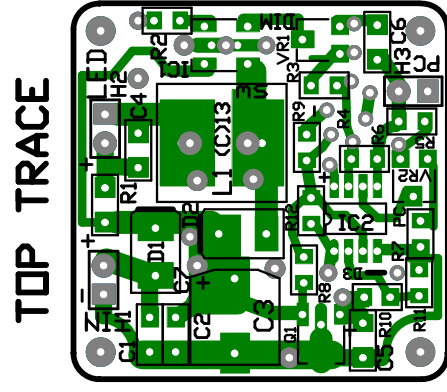


DC IN

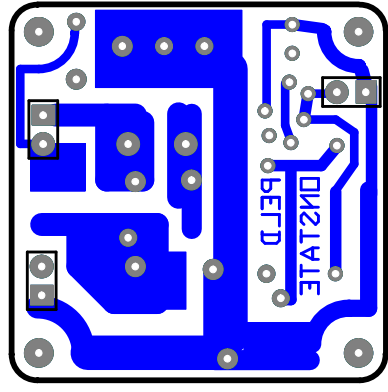
LED

UVLO

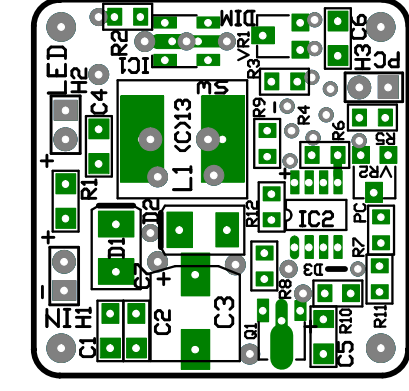
PC CTRL



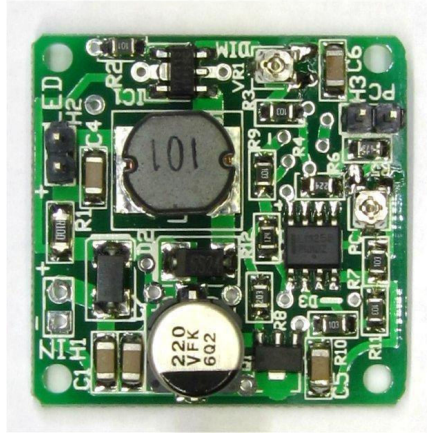
TOP TRACE



BTM TRACE



LEGEND



Onstate Tech. CIR-PESLD15 LED driver dimmer module