

LLSL6 LED Worklight Headlight Lighting Heatsink



The LLSL6 is a high-quality and high-performance multi-purpose solid-state lighting unit. LED lighting is the future of lighting for high efficiency and rugged long life applications. There are no UV light, high temperatures, slow warm-up, large size and general safety problems associated with other lighting systems. The large aluminum heatsink provides high thermal conductivity, light weight and high strength for optimum performance of high power, star-type white or coloured LEDs for up to 20W of lighting. The CNC machined plastic window cover, casing and brackets provide a precision finish and look to the product. Various beam angles are available to provide evenly distributed light on the scene. The LLSL6 is designed to perform in scientific as well as general lighting applications. Whether you need a portable work/area light, video light, strobe or a headlight, the LLSL6 will provide years of maintenance-free, high quality lighting.

Features:

- Large aluminum heatsink, up to 20W
- CNC machined window and case
- Compact, small, light weight, durable
- Easy mounting and installation
- Evenly distributed light output
- Corrosion resistant parts and hardware
- High-power, multi-purpose design
- Standard tripod mounting

Benefits:

- Maximise and maintains peak LED performance
- Configurable for various lighting applications.
- Efficient and low cost, long life illumination

Applications:

- Portable lighting, area/architectural lighting
- Field-use lighting, automation lighting
- Replace light bulb lighting



Mounting is compatible with standard tripod for use as a video light or worklight. The LLSL6 lighting unit when used with a rechargeable battery pack provides efficient portable lighting as a high-powered bicycle headlight or field use searchlight.

Technical Specifications:
LLSL6 LED Lighting Unit:

Dimension: 3.0"(W) x 2.1"(H) x 4.1"(L)

 Material: 3/4" CNC utility plastic, dark grey
 Extruded aluminum, anodised finish
 1/8" clear Lexan, CNC machined

Hardware: All stainless steel

Cabling: 3 feet. Multi-conductor cable.

Weight: 12.4 Oz. (350g)

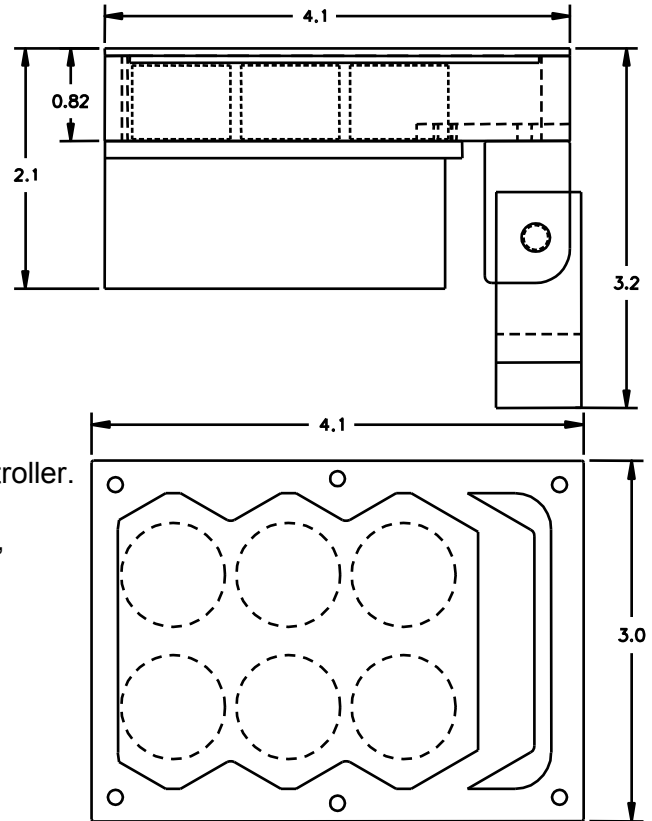
LI6 LED assembly:

 LED array: 6 Star-type, high power, 20W max.
 3W white, CREE or Luxeon type

Temperature: -30°C to 50°C

Mounting: 4-40 flat head machine bolts

LED driver: Current regulated LED driver and controller.

 Lens/beam: LED collimator (lens) and holder.
 Spot 10 degrees, medium 40 degrees,
 flood 120 degrees,
 LLSL6 headlight 30 degrees.


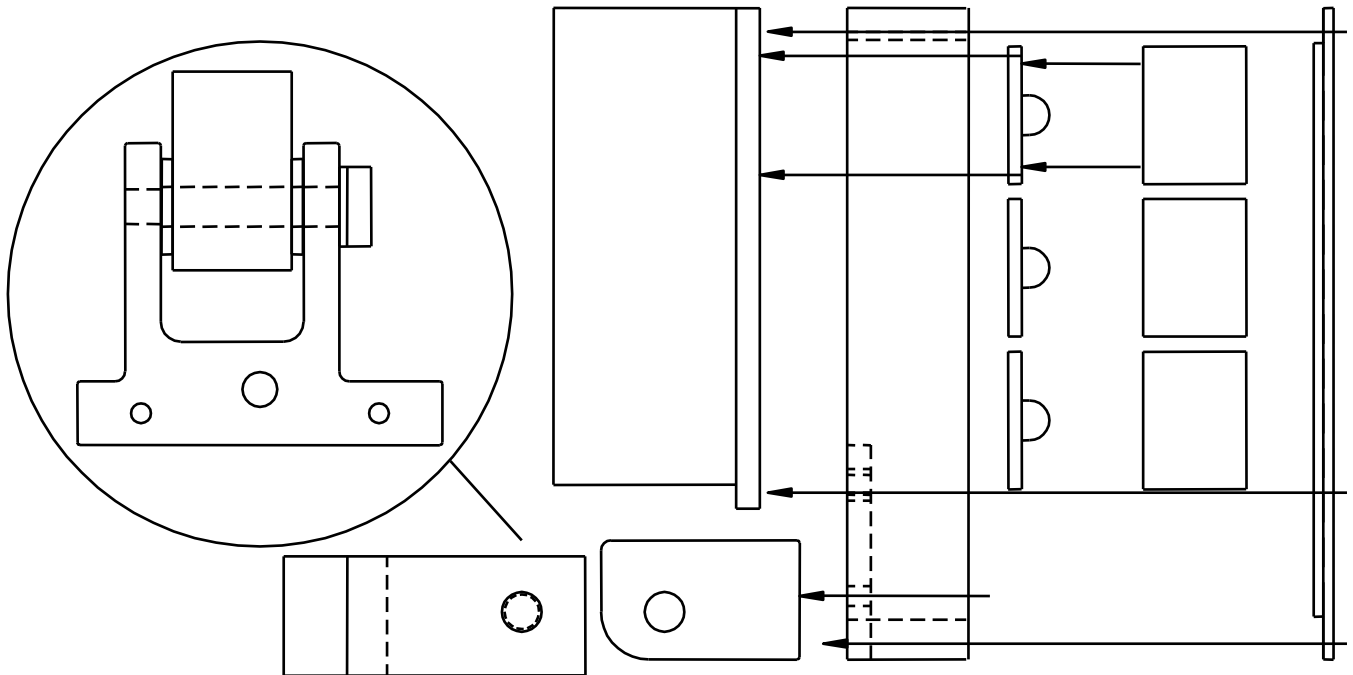
DO NOT STARE DIRECTLY INTO THE LED LIGHT

Installation:

Please read the appropriate data sheet prior to installation for best results. The installation should be made by a person knowledgeable in the product and conforms to all appropriate local codes. Onstate Technologies Inc. will not be responsible for injuries or damages resulting from the improper installation or use of any products sold by Onstate or its retailers. Install the product within its specification limits.

Maximise airflow to LED array for best performance. The LEDs and components get warm during operation. Do not install in an enclosed area or expose to high temperatures. LEDs are sensitive to heat and static. If the LED array is using full power in a confined location, use the appropriate heatsink and heat transfer method. Use proper care during soldering and assembly. Follow the assembly and installation instructions for quick and easy installation.

DO NOT STARE DIRECTLY INTO THE LED LIGHT



 Onstate Technologies	LLSL6 LED Lighting High Power Solid-State Lighting	Technical Information- LED Lighting SL Lighting Series
		Illuminating A Renewable World™

Product assembly:

Bill-of-Materials for LLK-04 LED lighting kit.
SL6 enclosure, heatsink, window and hardware.

Part	Quantity	Application	Description
HTK-LL-01	1	Aluminum heatsink for mounting LEDs.	3" wide extruded aluminum heatsink
WC-LL-02	1	Window cover for LEDs/SL6.	1/8" clear Lexan.
BP-LL-02	1	SL6 enclosure and bracket. LED case.	3/4" plastic cover. CNC box.
HW-BLT-I4-01	1	BP-LL-02 mounting	4-40 x 1/4" pan head Philips drive bolts, SS
HW-BLT-I4-02	12	Star-type LED mounting hardware	4-40 x 1/4" flat head philips drive bolts, SS
HW-BLT-I4-04	6	Window mounting hardware	4-40 x 1.0" pan head philips drive bolts, SS
HW-BLT-I4-05	2	Bracket plate mounting part B	4-40 x 1/2" pan head philips drive bolts, SS
HW-LW-I4-01	4	#4 split lock washer, part A & B use.	#4 split lock washer, SS
HW-NUT-I4-01	2	4-40 nut, SS	
HW-LW-I14-01	2	Ext. teeth 1/4-20 lock washer, bracket spacer	1/4-20 ext. teeth lock washer, SS
HW-LW-I14-02	1	1/4-20 x1.5" bolt, bracket pivot mounting	1/4-20 x1.5" hex bolt, SS
HW-LW-I14-03	1	1/4-20 washer, bracket mounting	1/4-20 washer, SS
HW-NUT-G7-1	1	PG7 wire strain relief, 1/8"-1/4" cable	PG7 cable gland, black
HW-CBL-01	1	LED power cable, multi-conductor, 3'	Power cable

Bill-of-Materials for LLSL6 LED lighting unit.
SL6 enclosure, heatsink, LEDs, window and hardware.

Part	Quantity	Application	Description
LLK-04	1	LLK-04 LED lighting kit	LED lighting kit
ELE-DSP-LED-01	6	High brightness star-type LED, CREE/Luxeon LED	3W white high power LED
CIR-LLCD-12V2-01	1	Provide constant current to LED, power regulation, 12V, 2A max.	LED driver and regulator, 12V, 2A max.
HW-LL-CL-01	6	Plastic holder for lens collimator	Lens holder
HW-LL-CL-02	6	Various lens for different beam angles	20mm Lens collimator