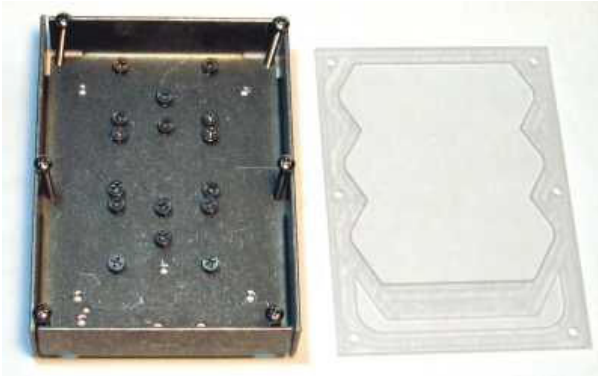


LLK-03 LED Lighting/Meter Heatsink Plate Kit



The LLK-03 LED Lighting Kit is a high-quality and high-performance multi-purpose LED lighting enclosure. LED lighting is the future of lighting for high efficiency and rugged long life applications. There are no UV light, high temperatures, slow warm-up, large size and general safety problems associated with other lighting systems. The aluminum heatsink plate provides high thermal conductivity, light weight and high strength for optimum performance of high power, star-type white or coloured LEDs. Up to 6 LEDs can be used to provide up to 12W of lighting in multi-coloured special effects or general lighting. The tough

1/8" clear Lexan window provides good protection against damages. The enclosure is also suitable for other instruments, meters and displays for surface mounting or onto standard electrical boxes.

Features:

- Large aluminum heatsink plate. >12W
- Surface or electrical box mounting
- Compact, light weight, durable
- Easy mounting and installation
- Space for control box and accessories
- no gluing of LEDs
- High-power, multi-purpose design
- Tough Lexan window

Benefits:

- Maximise and maintains peak LED performance
- Configurable for various lighting applications.
- Efficient and low cost, long life illumination

Applications:

- Landscape, area, architectural lighting
- Sturdy metal enclosure
- Replace light bulb lighting

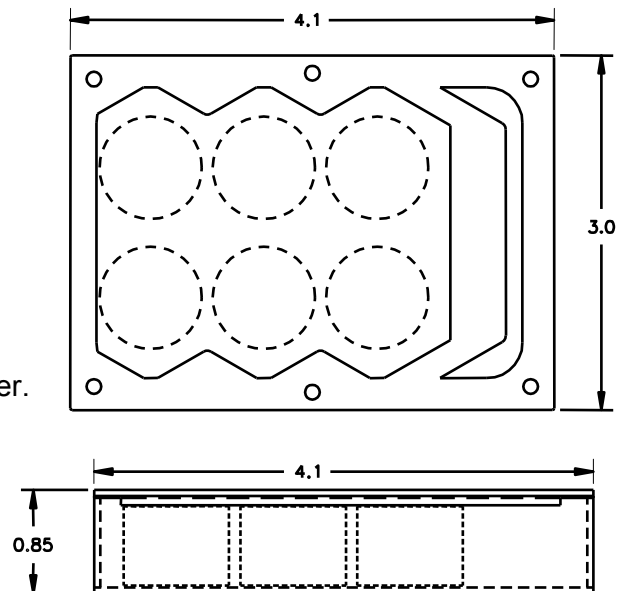
Technical Specifications:

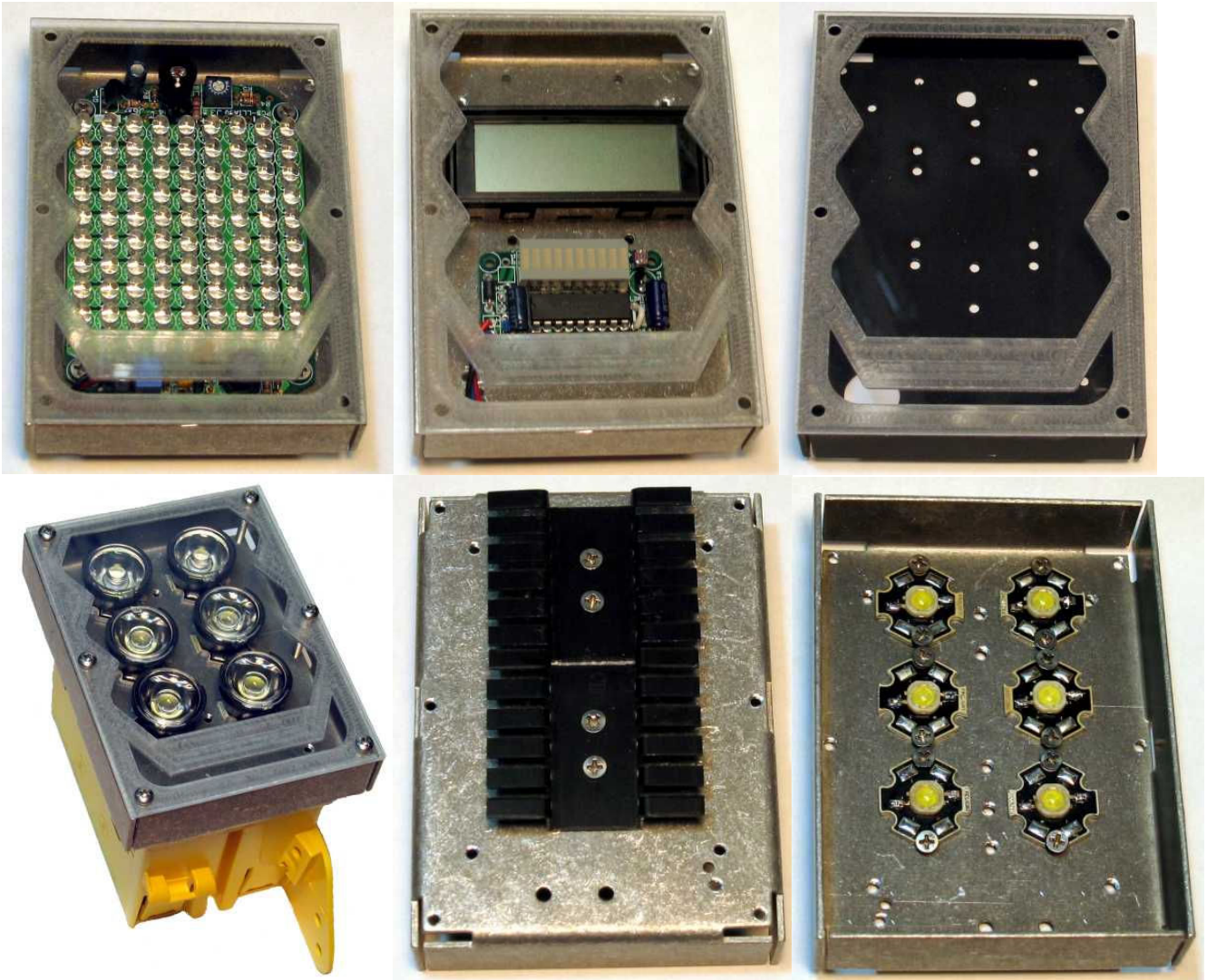
LLK-03 LED Lighting Kit assembly:

- Heatsink: 3.0"(W) x 0.85"(H) x 4.1"(L)
1/16" aluminum, tumbled finish
#4-40 threads on 3/32" holes
- Window: 1/8" clear Lexan, CNC machined
- Hardware: #4 machine bolt, all stainless steel
- Weight: 3.5 Oz. (99g)


Optional accessories:

- Heatsink: TO-220/TO-3 or larger
Size to suit power dissipation.
- LED driver: Current regulated LED driver and controller.
- LED lens: LED light collimator (lens) and holder
- LED array: 6 Star-type, high power, 1-3W
Onstate LLK-01 IA90 LED array kit
- Hardware: Various #4 and #6 bolts





LLK-03 LED Lighting/Meter Heatsink Plate Kit mounted with various LED arrays and meters.

 Onstate Technologies	LLK-03 LED Lighting Kit Bracket Plate Parts Kit	Technical Information- LED Lighting LED Lighting Kits And Accessories
		Illuminating A Renewable World™

Installation:

DO NOT STARE DIRECTLY INTO THE LED LIGHT

Please read the appropriate data sheet prior to installation for best results. The installation should be made by a person knowledgeable in the product and conforms to all appropriate local codes. Onstate Technologies Inc. will not be responsible for injuries or damages resulting from the improper installation or use of any products sold by Onstate or its retailers. Install the product within its specification limits.

Maximise airflow to LED array for best performance. The LEDs and components get warm during operation. Do not install in an enclosed area or expose to high temperatures. If the LED array is using full power in a confined location, use the appropriate heatsink and heat transfer method. LEDs are sensitive to heat and static. Use proper care during soldering and assembly. Follow the assembly and installation instructions for quick and easy installation.

Product assembly:

Bill-of-Materials for LLK-03 LED lighting kit.
 basic kit with heatsink plate, window and hardware.

Part	Quantity	Application	Description
BP-LL-03	1	Heatsink bracket plate for mounting LEDs. Metal box.	14 AWG aluminum custom box.
WC-LL-02	1	Window cover for metal box	1/8" clear Lexan.
HW-BLT-I4-02	16	Star-type LED mounting hardware	4-40 x 1/4" flat head Philips drive bolts, SS
HW-BLT-I4-04	6	Window mounting hardware	4-40 x 1.0" pan head Philips drive bolts, SS
Optional items			
LLK-01	1	LLIA90 LED array. LED lighting kit	90 LED illuminator array
HB LED	6	High brightness star-type LED	High power LED
LED driver	1	Provide constant current to LED, power regulation	LED driver and regulator
TO-220/TO-3 heatsink	2	Provide extra cooling for LEDs	Large 1.75" sqr TO-220/TO-3 heatsinks
hardware	2	Mounting hardware to surface	Lighting unit mounting hardware