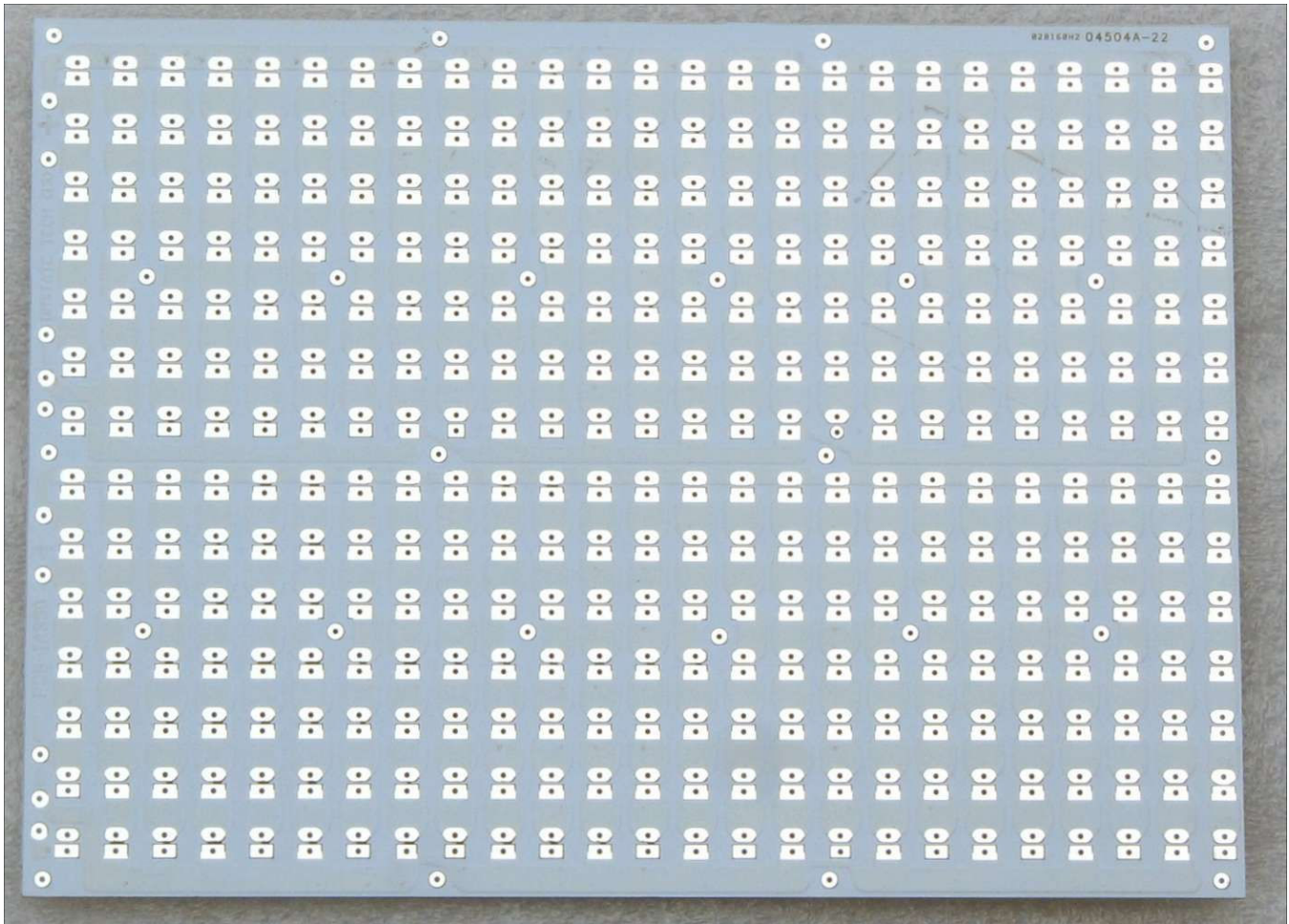




350 LED Array PCB Panel



PCB specification:

1. 1/16" glass fibre. FR4 type, ROHS and lead-free.
2. Through-hole plated, HASL coated holes.
3. Thick copper traces, double-sided copper traces.
4. Robust design, reliable operation.
5. 194mm (7.6") x 142mm (5.6")
6. 0.1" lead spacing for 3mm (T1) or 5mm (T1-3/4) LEDs.
7. 0.30" x 0.375" LED spacing.
8. 350 LEDs. 4 separate arrays pattern.
9. 95 g.

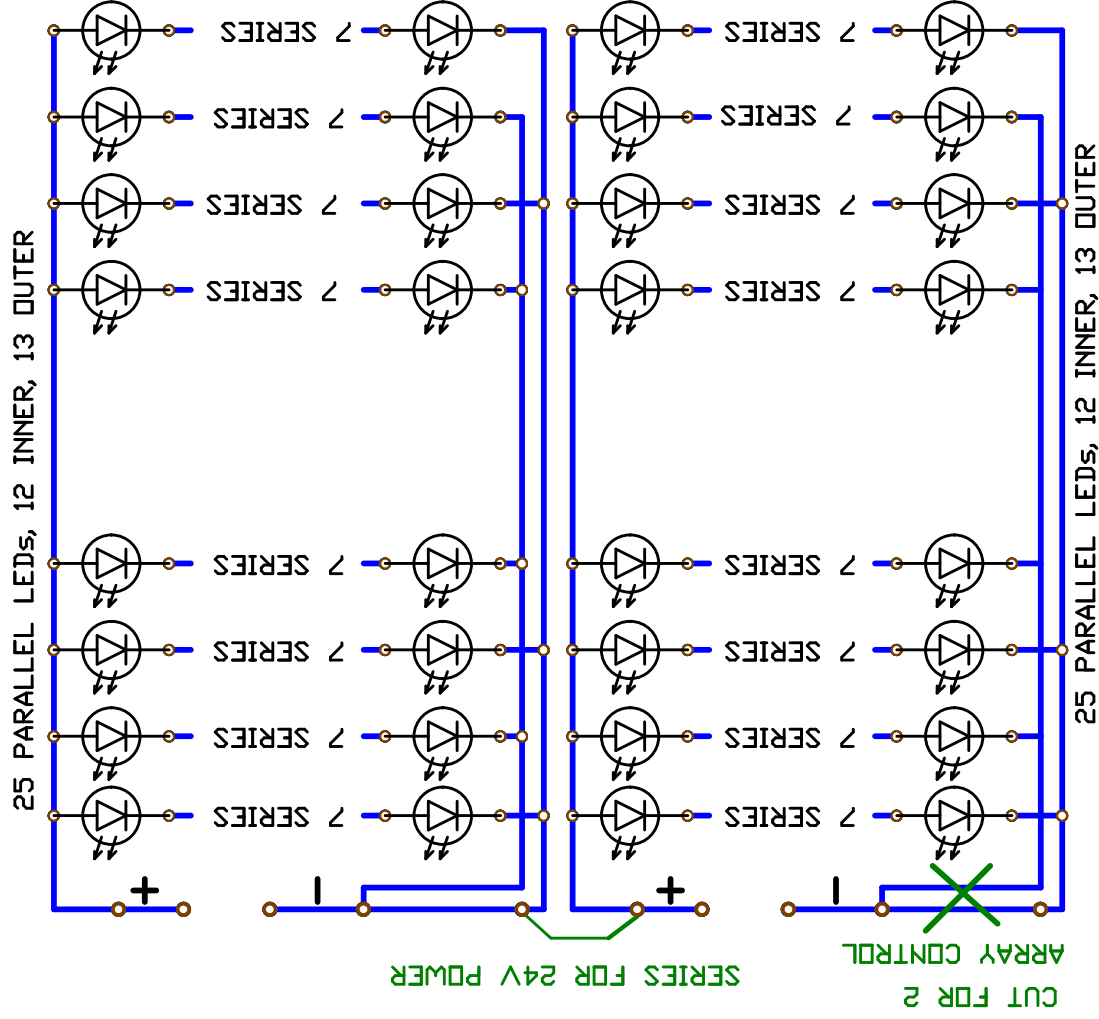
Onstate Technologies

350 LED Array PCB Panel

Wiring: 7 series x 25 parallel x 2 banks

Dimension: 194mm x 142mm

Mounting holes: 186mm x 136mm (outer)
symmetrical pattern



LED array heatsink required
for maximum performance

LED PANEL SHOULD BE POWERED WITH
CONSTANT CURRENT OR REGULATED LED DRIVER

www.OnstateTech.com 07/13