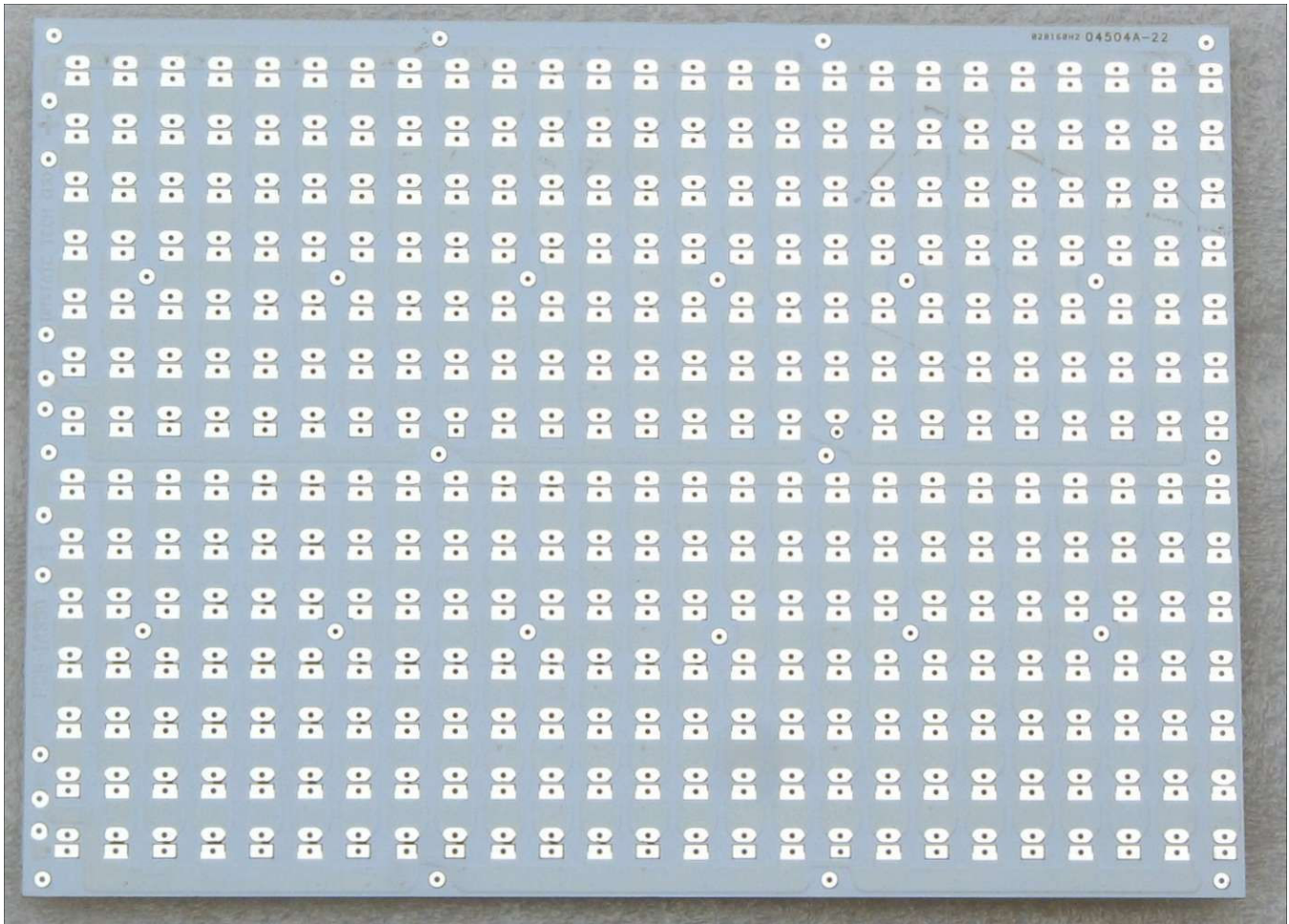




350 LED Array PCB Panel

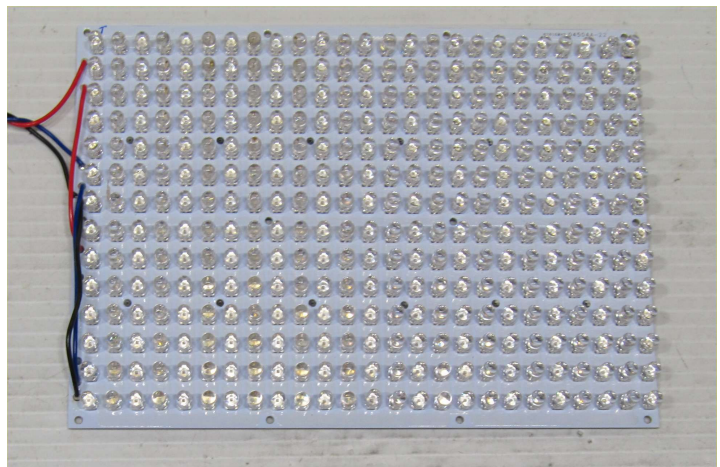


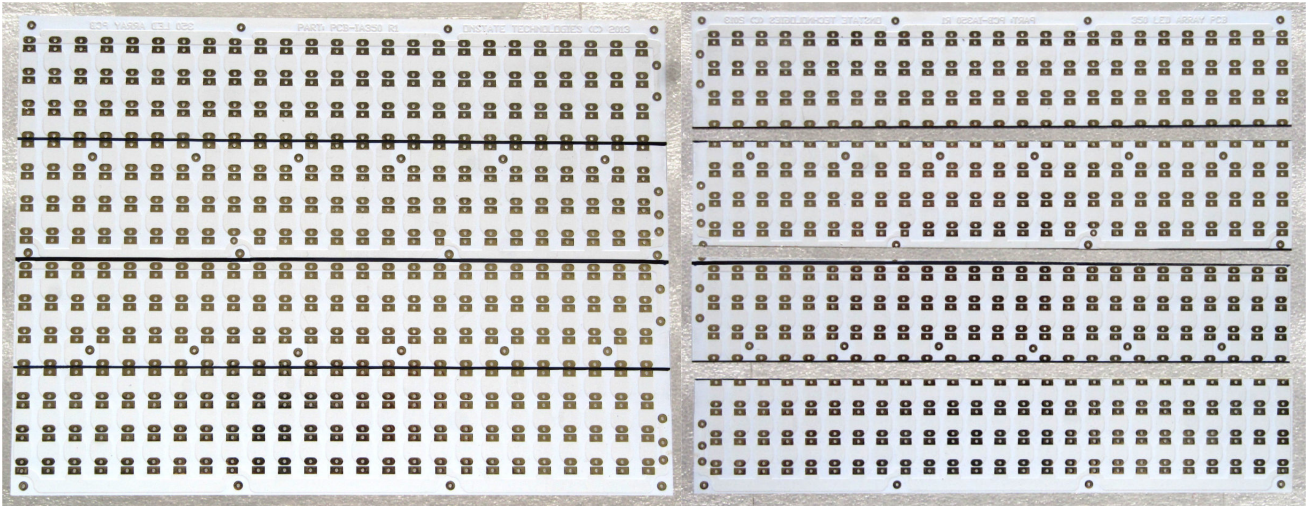
PCB specification:

1. 1/16" FR4 type material, ROHS and lead-free.
2. Through-hole plated, HASL coated holes.
3. Thick 2 oz copper traces, double-sided traces.
4. Symmetrical array.
5. Robust design, reliable operation.
6. 194mm (7.6") x 142mm (5.6")
7. 0.1" spacing for 3mm/5mm LEDs.
8. 0.30" x 0.375" LED spacing.
9. 350 LEDs. 4 separate array patterns.
10. High-power LED lighting.
11. 95 g.

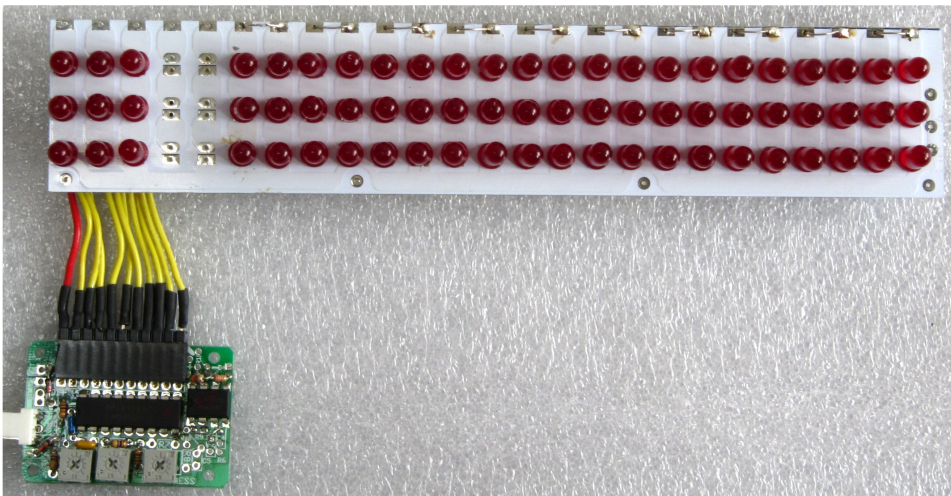
Applications:

- CCTV, IR night-time illumination
- Machine Vision
- Photography
- DIY projects
- Large LED displays





PCB-IA350 cut into 4 individual sections for smaller arrays.



IA350 array used as a large 10-LED bargraph display meter.

Onstate Technologies

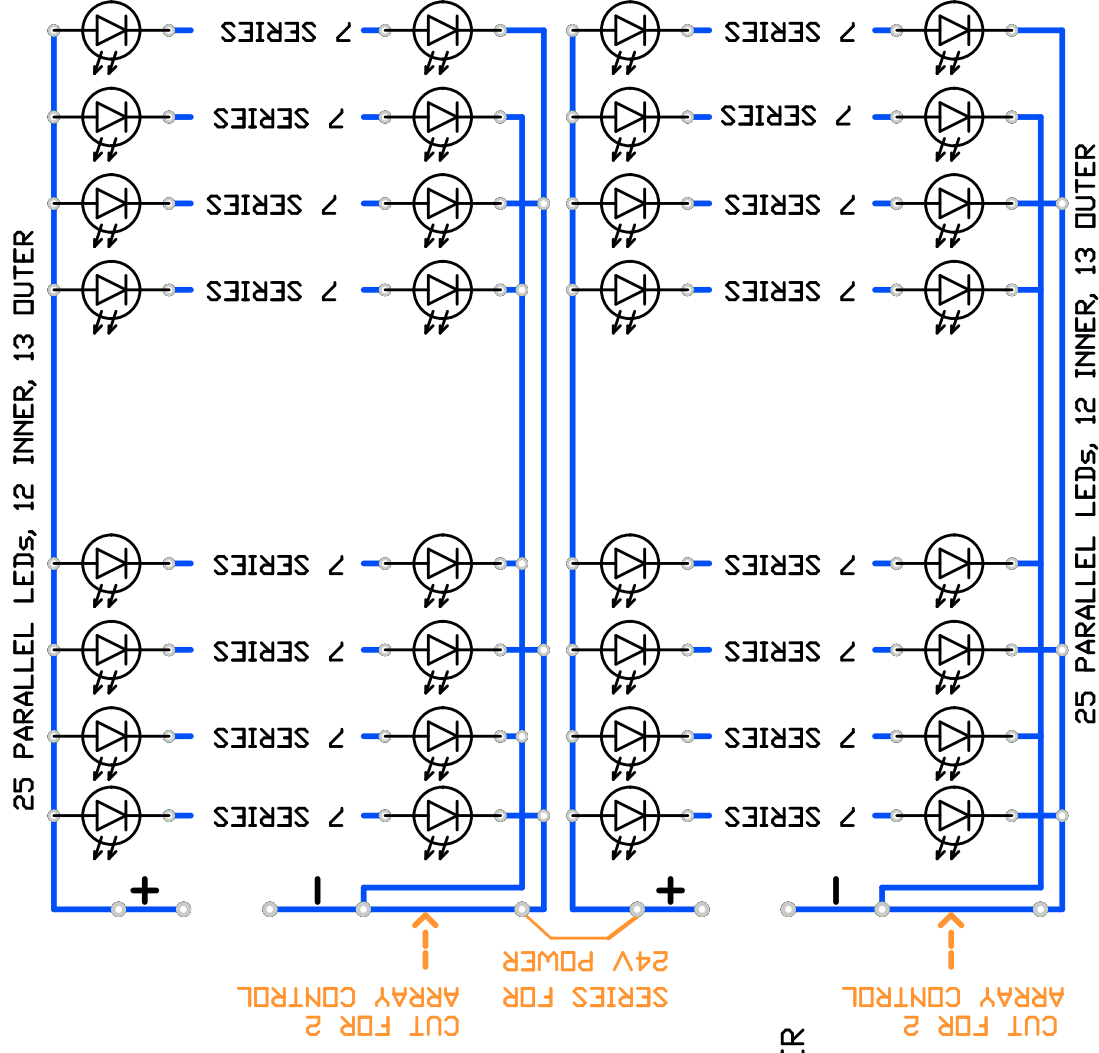
350 LED Array PCB Panel

Wiring: 7 series x 25 parallel x 2 banks

Dimension: 194mm x 142mm

Mounting holes: 186mm x 136mm (outer)

12x 2.0mm holes



LED array heatsink required
for maximum performance

LED PANEL SHOULD BE POWERED WITH
CONSTANT CURRENT OR REGULATED LED DRIVER

www.OnstateTech.com 07/13

rev. 6/15

